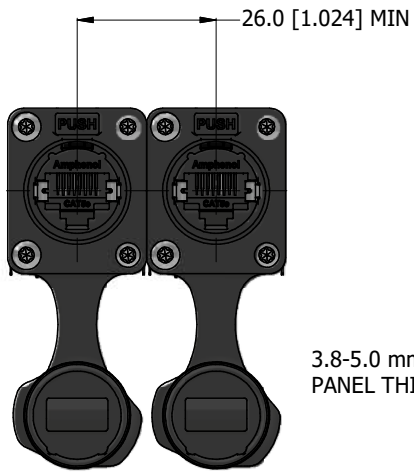


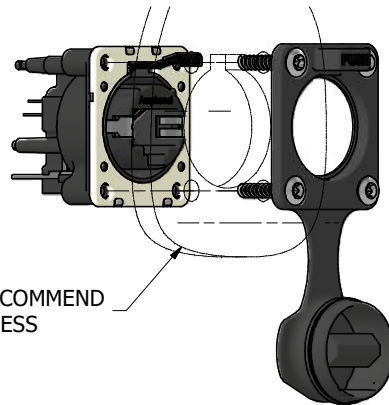
**PCB LAYOUT
(CONNECTOR REAR VIEW)**

- RJ45 CONTACTS
- RJ45 SHELL GROUND CONTACT
- CONNECTOR LOCATION PINS

PANEL CUT OUT



3.8-5.0 mm RECOMMEND
PANEL THICKNESS



RECOMMEND MINIMUM MOUNTING PITCH

RJXS8FP25V

SERIES PREFIX _____
 CONTACT LAYOUT (RJ45 STYLE) _____
 GENDER _____
 THERMOPLASTIC 3.8mm to 5.0mm WITH CAP _____
 TRANSMISSION CLASS (CAT5e) _____
 HORIZONTAL MOUNT (PCB THRU HOLE) _____



UNLESS OTHERWISE SPECIFIED TOLERANCE TO BE:	
LINEAR	ANGULAR
X.X ±10	X° ±1
X.XX ±5	X°X' ±20'
X.XXX ±1	X°XX' ±15'
BREAK ALL SHARP EDGES AND REMOVE ALL BURRS	
DO NOT SCALE	
DIMENSIONS IN MILLIMETRES	

THIS DOCUMENT IS THE PROPERTY OF AMPHENOL AUSTRALIA PTY. LTD. NO PART THEREOF MAY BE REPRODUCED AND USED WITHOUT THE PRIOR WRITTEN CONSENT OF THE OWNER		
MATERIAL: SEE COMPONENTS	DRN: J.W	DATE: 30/11/2023
FINISH: SEE COMPONENTS	CKD: P.M.	DATE: 30/11/2023
SCALE: NTS	APPD: P.M.	DATE: 30/11/2023
SIZE: A3	THIRD ANGLE PROJECTION	

Amphenol XLRnet PANEL MOUNT, VERT, IP65, W/CAP, PANEL THICKNESS 3.8-5.0	Amphenol Australia Pty.Ltd, 22 Industry Blvd Carrum Downs, VIC 3201
	PART No: RJXX8FP25V DRAWING No: 55011544-200-A
REV A SHEET 2/2	