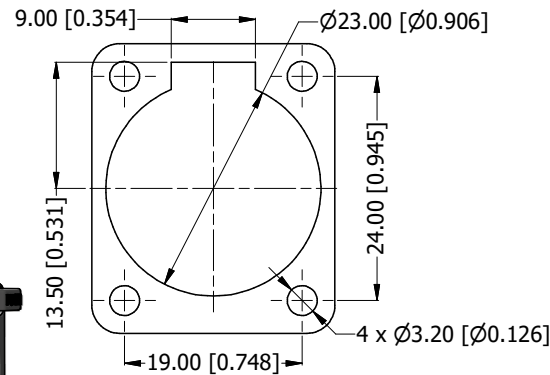


**PCB LAYOUT  
(CONNECTOR REAR VIEW)**

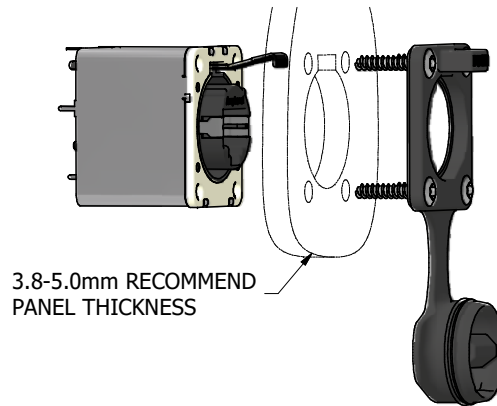
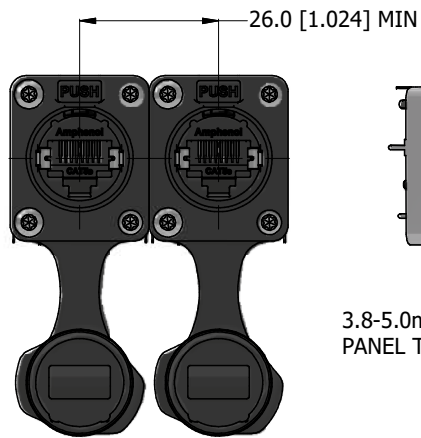
- RJ45 CONTACTS
- RJ45 SHELL GROUND CONTACT
- SHIELD BOX LEGS
- CONNECTOR LOCATION PINS



**PANEL CUT OUT**

**RJXS8FP25VE**

SERIES PREFIX  
CONTACT LAYOUT (RJ45 STYLE)  
GENDER  
THERMOPLASTIC 3.8mm to 5.0mm WITH CAP  
TRANSMISSION CLASS (CAT5e)  
VERTICAL MOUNT (PCB THRU HOLE)  
WITH EMI/RFI SHIELD



**RECOMMEND MINIMUM MOUNTING PITCH**



UNLESS OTHERWISE SPECIFIED TOLERANCE TO BE:		THIS DOCUMENT IS THE PROPERTY OF AMPHENOL AUSTRALIA PTY. LTD. NO PART THEREOF MAY BE REPRODUCED AND USED WITHOUT THE PRIOR WRITTEN CONSENT OF THE OWNER		<b>Amphenol</b> Amphenol Australia Pty. Ltd. 22 Industry Blvd Carrum Downs, VIC 3201	
LINEAR	ANGULAR	MATERIAL:	DRN: J.W	DATE: 30/12/2024	TITLE: <b>XLNnet, VERT, IP65, SHIELDED, W/CAP, PANEL THICKNESS 3.8-5.0</b>
X.X ±10	X° ±1	<b>SEE COMPONENTS</b>	CKD: P.M.	DATE: 30/12/2024	PART No: <b>RJXS8FP25VE</b>
X.XX ±5	X°X' ±30'	<b>SEE COMPONENTS</b>	APPD: P.M.	DATE: 30/12/2024	REV <b>1</b>
X.XX ±1	X°XX' ±15'	DO NOT SCALE	SCALE: <b>NTS</b>	SIZE: <b>A3</b>	DRAWING No: <b>55011544-300-1</b>
DIMENSIONS IN MILLIMETRES		THIRD ANGLE PROJECTION		SHEET <b>1</b> OF <b>2/2</b>	