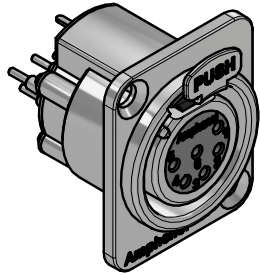


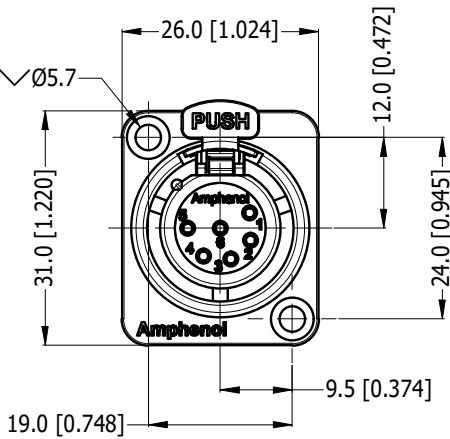
LEGEND = KEY PRODUCT CHARACTERISTICS

REVISION HISTORY

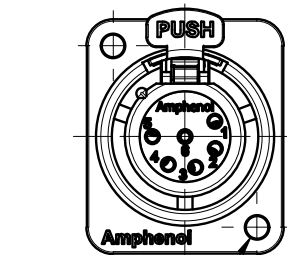
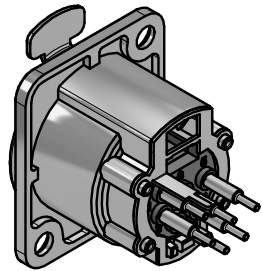
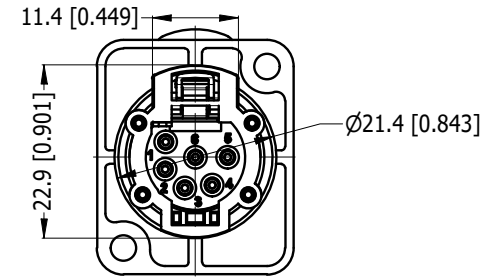
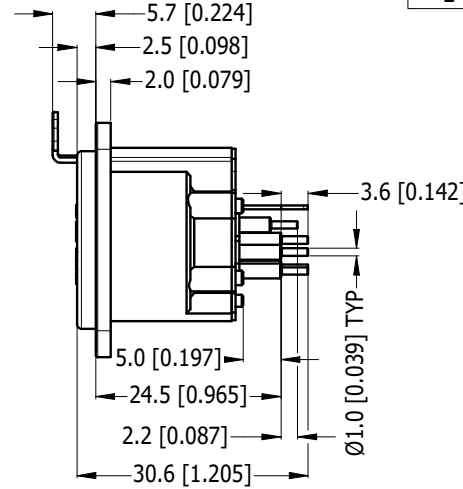
REV	DESCRIPTION	DATE	BY	ECN
1	FIRST ISSUE	19/12/19	MH	----
2	CORRECT CONTACT ARRANGEMENT	23/03/21	MH	9642



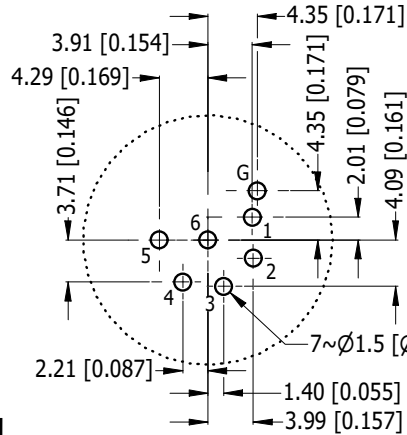
3D VIEW



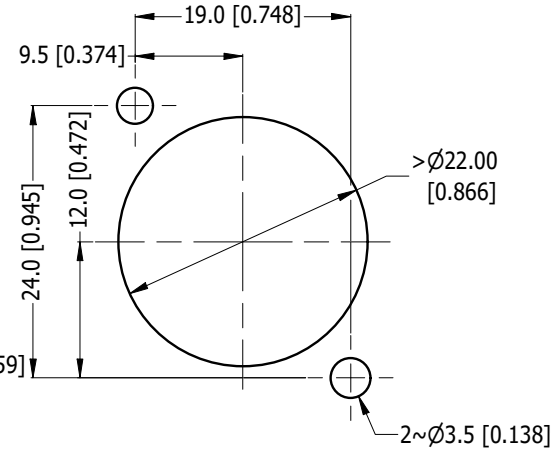
THROUGH HOLE



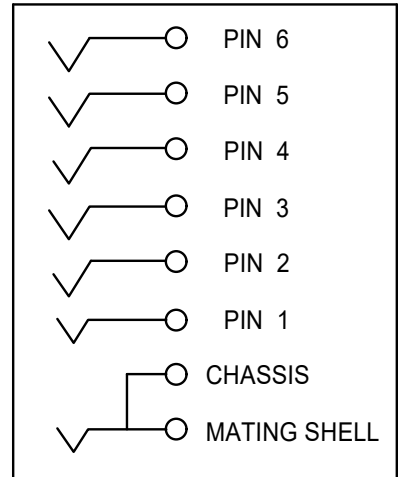
M3 THREAD OPTION



PCB LAYOUT



PANEL CUT OUT
(SCALE 2:1)



SCHEMATIC CHART

PART NUMBER	SHELL FINISH	PIN CONTACT FINIS
AX6AFDV	NICKEL PLATED	TIN PLATED
AX6AFDVB	MATT BLACK COATING	TIN PLATED
AX6FDV-M3	M3 THREAD - NICKEL PLATED	TIN PLATED
AX6AFDVB-M3	M3 THREAD - MATT BLACK COATING	TIN PLATED
AX6AFDV-AU	NICKEL PLATED	GOLD PLATED
AX6AFDVB-AU	MATT BLACK COATING	GOLD PLATED
AX6AFDV-AU-M3	M3 THREAD - NICKEL PLATED	GOLD PLATED
AX6AFDVB-AU-M3	M3 THREAD - MATT BLACK COATING	GOLD PLATED

UNLESS OTHERWISE SPECIFIED TOLERANCE TO BE	
LINEAR	ANGULAR
X ± 0.5	X' ± 1
X.X ± 0.2	X.X' ± 30'
X.XX ± 0.1	X.XX" ± 15'
BREAK ALL SHARP EDGES AND REMOVE ALL BURRS	
DO NOT SCALE	
DIMENSIONS IN MILLIMETRES	

THIS DOCUMENT IS THE PROPERTY OF AMPHENOL AUSTRALIA PTY. LTD.
NO PART THEREOF MAY BE REPRODUCED AND USED
WITHOUT THE PRIOR WRITTEN CONSENT OF THE OWNER

MATERIAL: **SEE COMPONENT**

FINISH: **SEE COMPONENT**



THIRD ANGLE PROJECTION

DRN: M.H	DATE: 19/12/19
CKD: M.H	DATE: 23/03/21
APP'D: P.M	DATE: 23/03/21
SCALE: 1:1	SIZE: A4

Amphenol

Amphenol Australia Pty.Ltd,
22 Industry Boulevard, Carrum Downs, VIC 3201

TITLE:
**AX6AFDV
D-TYPE AX PCB PANEL MOUNT
CUSTOMER DWG**

PART No.
SEE TABLE

DRAWING No.	SHEET
55011345-131-2	2/2

CAD FILE: 55011345131111