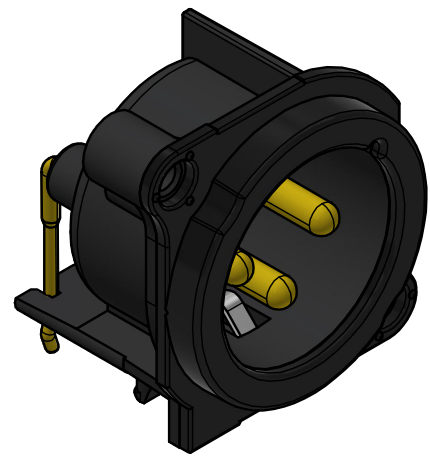
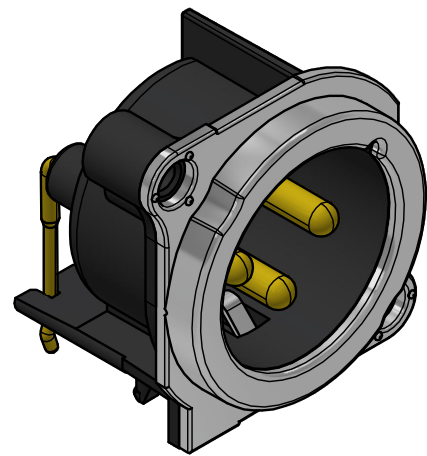
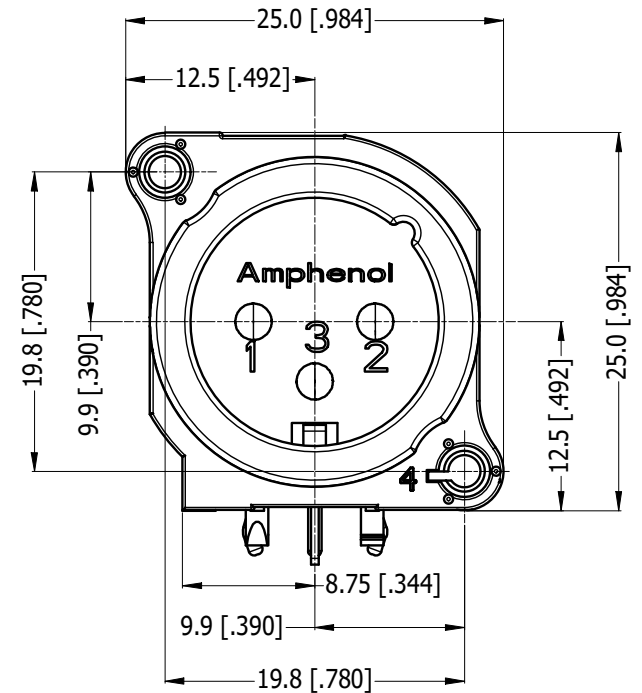
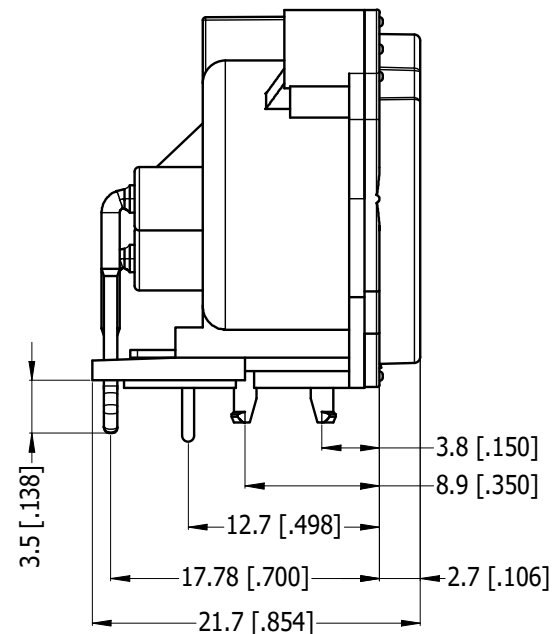
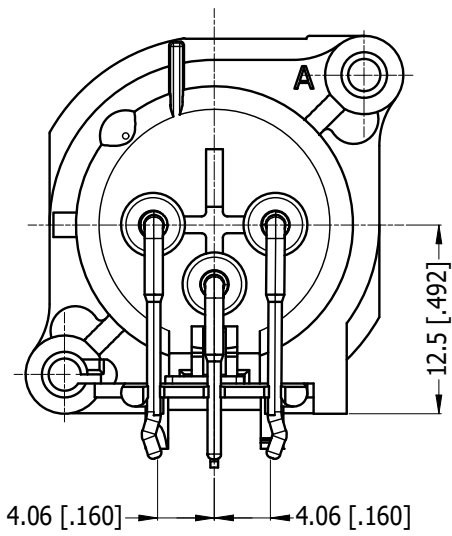


LEGEND = KEY PRODUCT CHARACTERISTICS

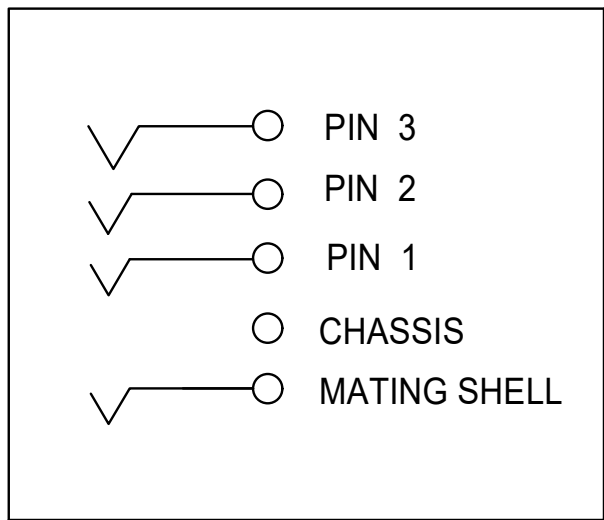
| REVISION HISTORY | | | | |
|------------------|-----------------------|----------|----|--------|
| REV | DESCRIPTION | DATE | BY | CHG/No |
| 0 | FIRST ISSUE | 17-03-17 | MH | --- |
| 1 | ADD PN FOR MATT BLACK | 16-06-25 | MH | ---- |



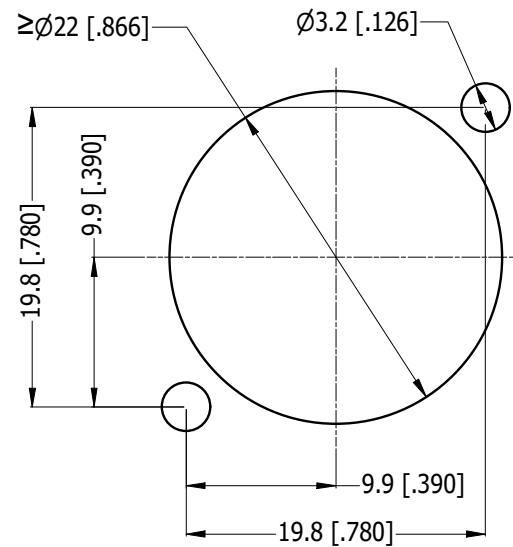
AC3MBHB-AU-PRE



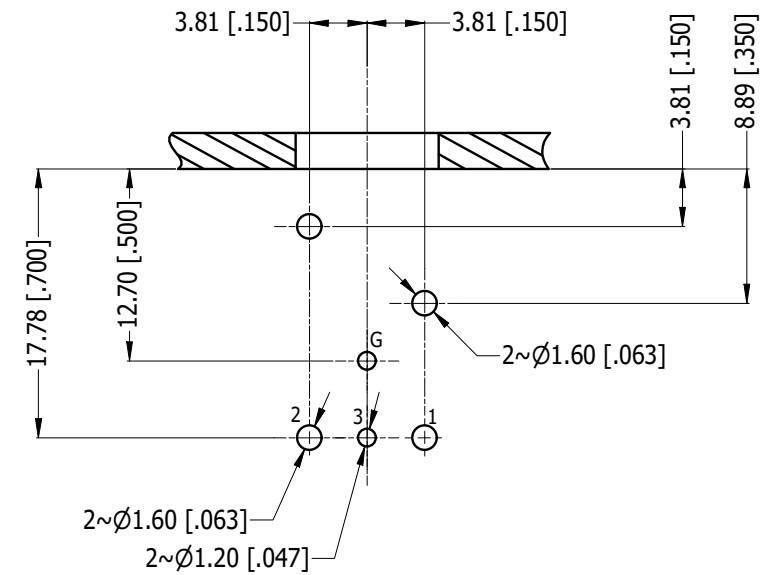
AC3MBH-AU-PRE



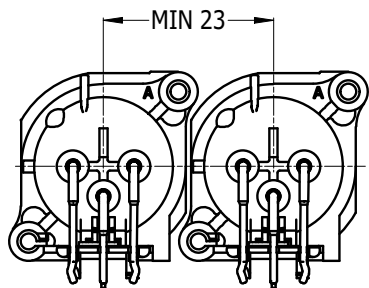
SCHEMATIC CHART



**PANEL CUT OUT
REAR VIEW**



**PCB-LAYOUT
COMPONENT SIDE
TOLERANCE: ± 0.05mm [.002"]**



**MIN MOUNTING PITCH
SCALE 1:1**

| PART NUMBER TABLE | |
|-------------------|---------------------|
| PART NUMBER | METAL FLANGE FINISH |
| AC3MBH-AU-PRE | SATIN NICKEL |
| AC3MBHB-AU-PRE | MATT BLACK |

| | | | | | |
|--|------------|---|------------|---|---|
| UNLESS OTHERWISE SPECIFIED TOLERANCE TO BE | | THIS DOCUMENT IS THE PROPERTY OF AMPHENOL AUSTRALIA PTY. LTD. NO PART THEREOF MAY BE REPRODUCED AND USED WITHOUT THE PRIOR WRITTEN CONSENT OF THE OWNER | | Amphenol Australia Pty.Ltd. 22 Industry Blvd, Carrum Downs, VIC 3201 | |
| LINEAR | ANGULAR | MATERIAL: REFER TO COMPONENT | DRN: MH | DATE: 17-03-17 | TITLE: AC3MBH-AU HORIZONTAL MALE CUSTOMER DRAWING |
| X ±0.5 | X' ±1 | FINISH: REFER TO COMPONENT | CKD: M.H | DATE: 16-06-25 | PART No: SEE TABLE |
| X.X ±0.2 | X.X' ±30' | DO NOT SCALE | APP'D: P.M | DATE: 16-06-25 | DRAWING NO. 55011220-000-2 |
| X.XX ±0.1 | X.XX" ±15' | DIMENSIONS IN MILLIMETRES | SCALE: 2:1 | SIZE: A3 | SHEET 2/2 |