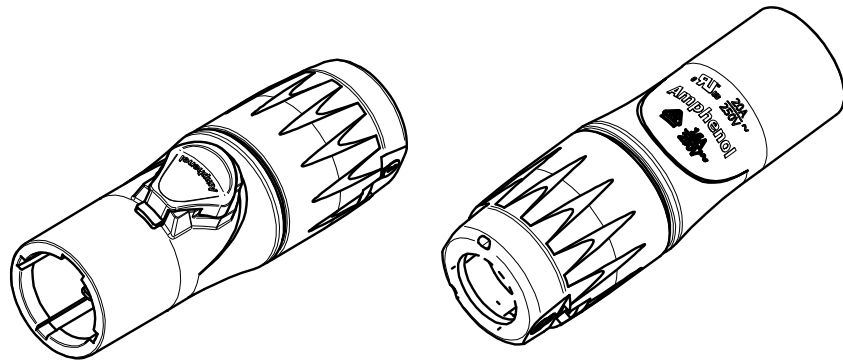
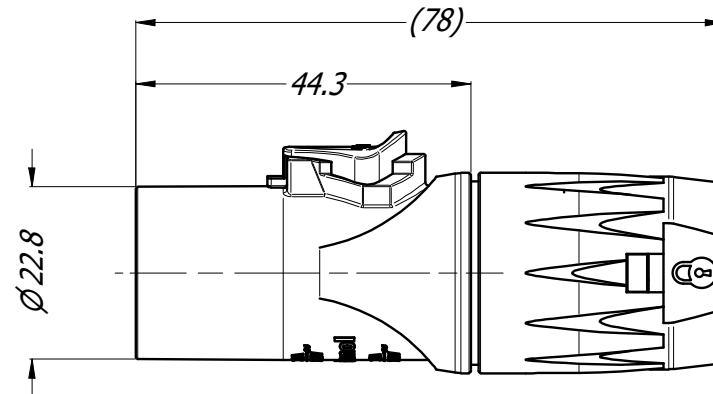
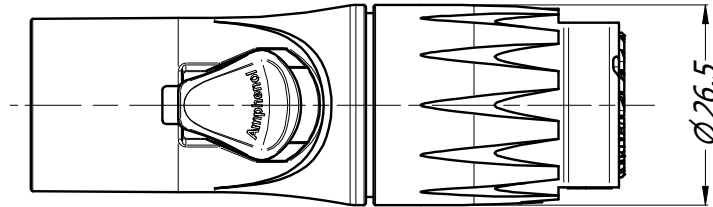
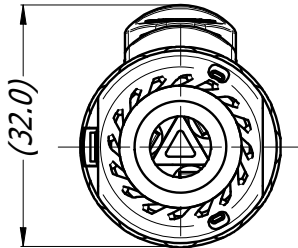




REVISION HISTORY						
REV	ZONE	DESCRIPTION	BY	APPROVED	DATE	ECN
1		FIRST ISSUE	T.N	P.M	23/05/17	9430
2		ADD PADLOCK ICON ON NUT	T.N	P.M	30/05/17	9434
3		ISSUE FOR PRODUCTION	T.N	P.M	05/08/19	9549
4		ADD PATENT #	T.N	P.M	05/11/20	9624
5		UPDATE TOLERANCE LIMIT	MH	PM	25-09-25	9773



**3D VIEW**  
3:4



**NOTES:**

- CABLE OD RANGE;  
 - BIG GROMMET: 10.0 -12.0 MM OD  
 - MEDIUM GROMMET: 8.0 -10.0 MM OD  
 - SMALL GROMMET: 6.0- 8.0 MM OD
- BACKSHELL TORQUE: 3.1 Nm MAX

**PATENTS AND APPLICATIONS :**

US 10186804  
 US D839193  
 US 10823914B2  
 EP 3514892B1  
 JP 6705027B2  
 DE 102018101431A1  
 HK 40009428A  
 CN 110071397A  
 EP 3641070A1

UNLESS OTHERWISE SPECIFIED TOLERANCE TO BE		THIS DOCUMENT IS THE PROPERTY OF AMPHENOL AUSTRALIA PTY. LTD. NO PART THEREOF MAY BE REPRODUCED AND USED WITHOUT THE PRIOR WRITTEN CONSENT OF THE OWNER			<b>Amphenol</b> Amphenol Australia Pty.Ltd, 22 Industry Blvd, Carrum Downs VIC 3201	
LINEAR	ANGULAR	MATERIAL:	DRN: T.N	DATE: 26/07/19	TITLE: <b>CABLE CONNECTOR MALE HPT SERIES CABLE OD 6.0 -12.0mm</b>	PART No: <b>HPT-3-M</b>
X ± 0.5 X.X ± 0.2 X.XX ± 0.1	X' ± 1 X.X' ± 30' X.X'X' ± 15'		CKD: MH	DATE: 25-09-25		DRAWING No. <b>55011197-000-2</b>
BREAK ALL SHARP EDGES AND REMOVE ALL BURRS		FINISH:	APP'D: PM	DATE: 25-09-25		SHEET <b>2/2</b>
DO NOT SCALE			SCALE: <b>1:1</b>	SIZE: <b>A4</b>		
DIMENSIONS IN MILLIMETRES						