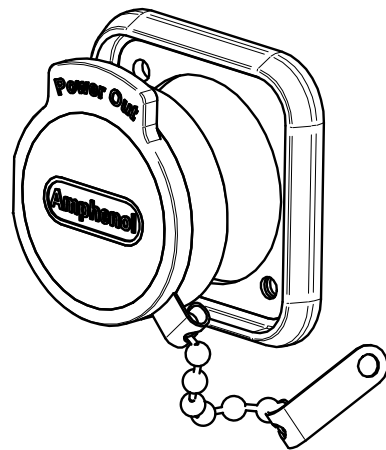
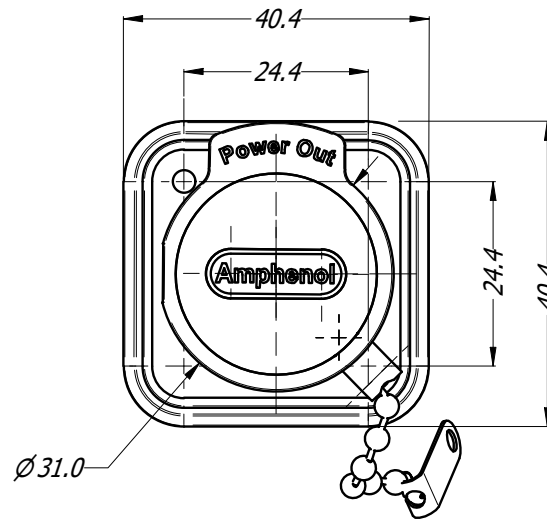
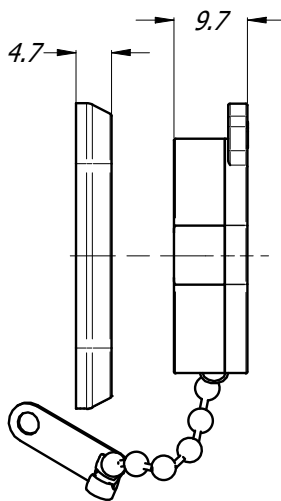
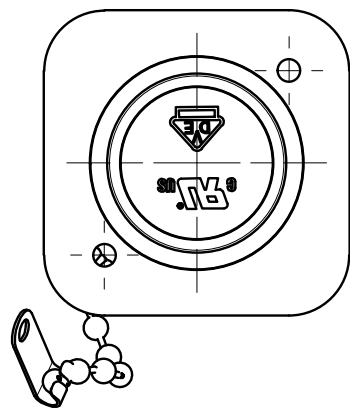
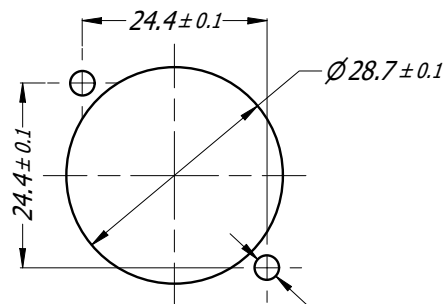




REVISION HISTORY				
REV	DESCRIPTION	BY	DATE	ECN
1	FIRST ISSUE	T.N	19/07/17	9549
2	UPDATE TOLERANCE LIMIT	MH	25-09-25	9773



3D VIEW
1:1



PANEL CUTOUT

NOTES:
 - USE #4 OR M3 SCREW.
 - TIGHTEN TO 0.35 N-m (3.1 lb-in)

UNLESS OTHERWISE SPECIFIED
TOLERANCE TO BE

LINEAR	ANGULAR
X ± 0.5	X' ± 1
X.X ± 0.2	X.X' ± 30'
X.XX ± 0.1	X.XX" ± 15'

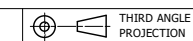
BREAK ALL SHARP EDGES
AND REMOVE ALL BURRS

DO NOT SCALE

DIMENSIONS IN MILLIMETRES

THIS DOCUMENT IS THE PROPERTY OF AMPHENOL AUSTRALIA PTY. LTD.
NO PART THEREOF MAY BE REPRODUCED AND USED
WITHOUT THE PRIOR WRITTEN CONSENT OF THE OWNER

MATERIAL:	DRN: T.N	DATE: 19/07/17
FINISH:	CKD: MH	DATE: 25-09-25
	APP'D: PM	DATE: 25-09-25
	SCALE: 1:1	SIZE: A4



Amphenol Australia Pty.Ltd,
22 Industry Blvd Carrum Downs, VIC 3201

TITLE: PROTECTIVE CAP HPT SERIES FEMALE P/M BEADED CHAIN	PART No: HPT-CAPF	REV 1
DRAWING No. 55011250-000-4	SHEET 3/4	