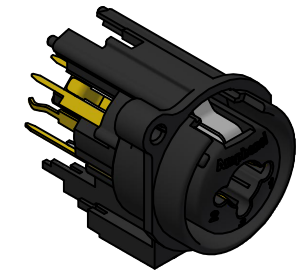
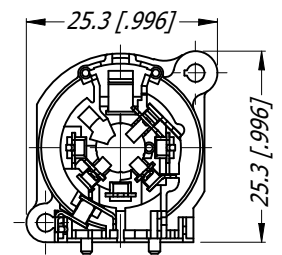
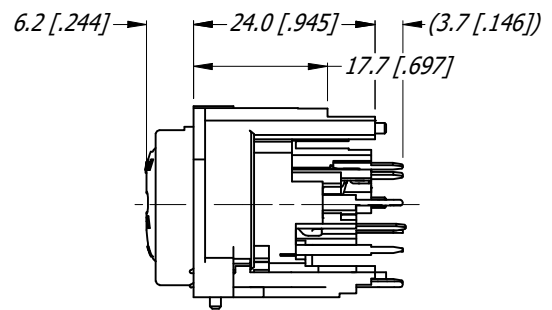
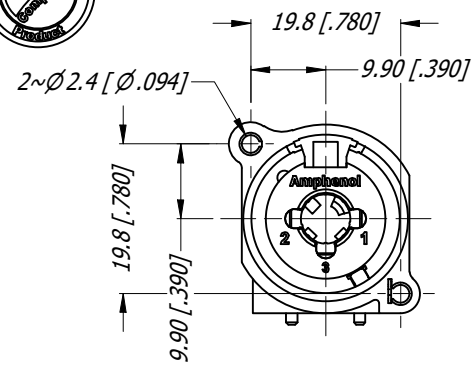




REVISION HISTORY				
REV	DESCRIPTION	BY	DATE	ECN
2	POS OF 2.5 HOLE IN PCB CHANGED	T.N	02/09/15	9320
3	CHANGE TN CONTACTS TO Au PLATING	MH	05/12/23	9740

A  
B  
C  
D  
E  
F

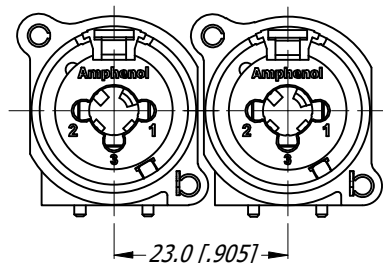
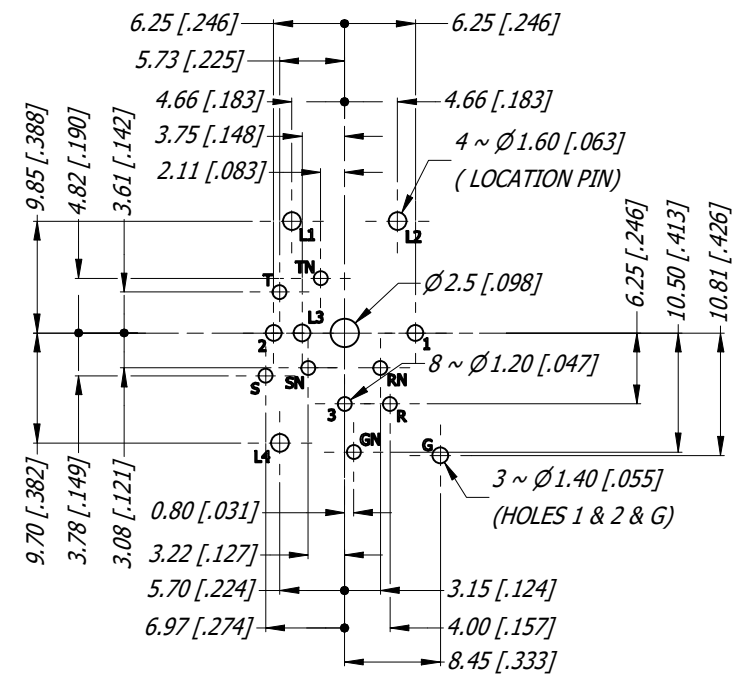


C

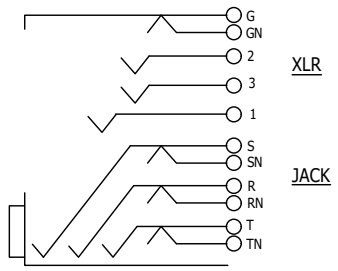
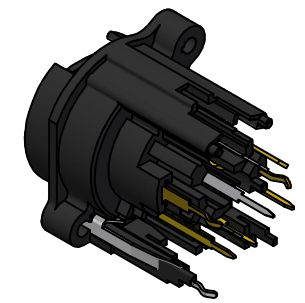
D

E

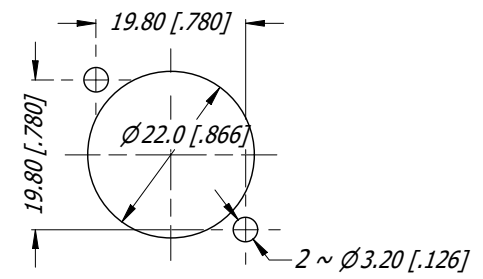
F



MIN MOUNTING PITCH



CONTACT SCHEMATIC DIAGRAM



PANEL CUT OUT

PCB LAYOUT  
SCALE 3:2

UNLESS OTHERWISE SPECIFIED TOLERANCE TO BE	
LINEAR	ANGULAR
X ± 0.5	X' ± 1
X.X ± 0.2	X.X' ± 30'
X.XX ± 0.1	X.XX" ± 15'
BREAK ALL SHARP EDGES AND REMOVE ALL BURRS	
DO NOT SCALE	
DIMENSIONS IN MILLIMETRES	

THIS DOCUMENT IS THE PROPERTY OF AMPHENOL AUSTRALIA PTY. LTD.  
NO PART THEREOF MAY BE REPRODUCED AND USED WITHOUT THE PRIOR WRITTEN CONSENT OF THE OWNER

MATERIAL: **SEE COMPONENTS**

FINISH: **SEE COMPONENTS**

THIRD ANGLE PROJECTION

**Amphenol** Amphenol Australia Pty.Ltd,  
22 Industry Blvd, Carrum Downs, VIC 3201

TITLE: **C TYPE LOW PROFILE 10 CTS NON LATCH VERT- CUSTOMER DWG**

PART No: **ACJC10AV2L**

DRAWING No. **55011016-000** SHEET **10/16**