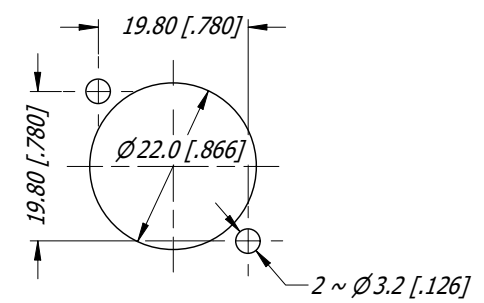
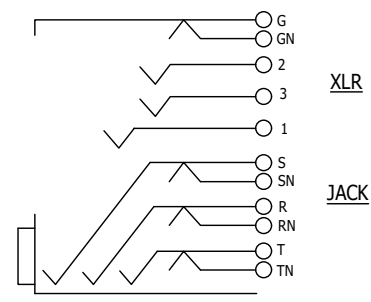
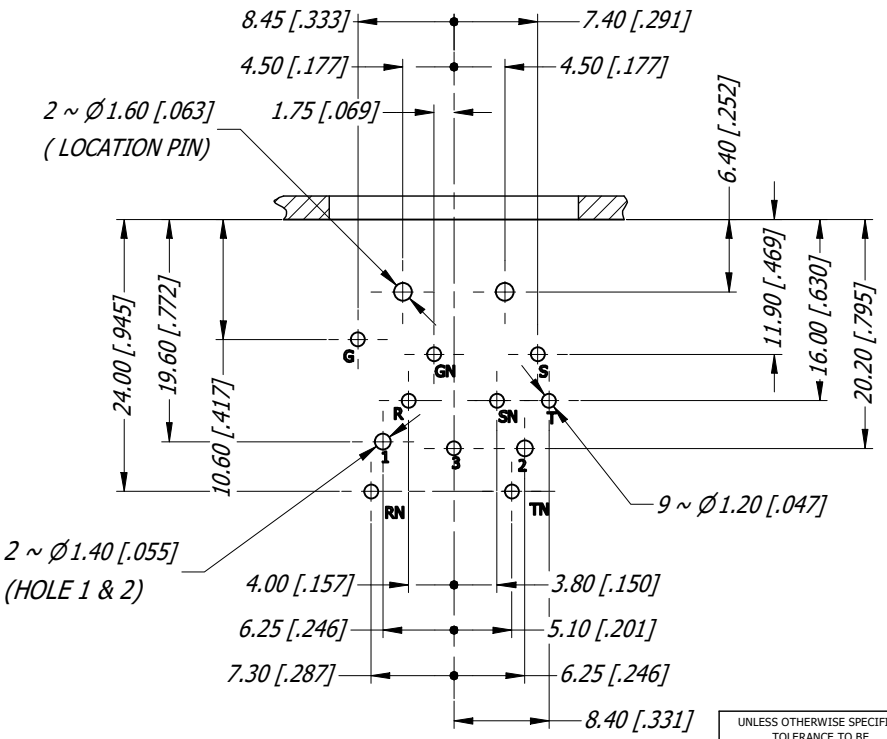
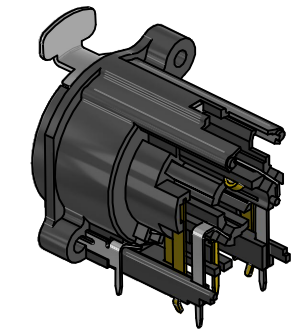
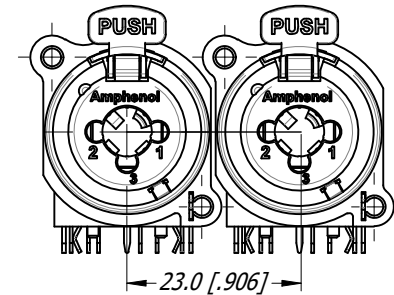
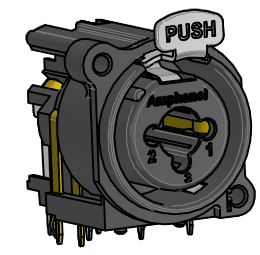
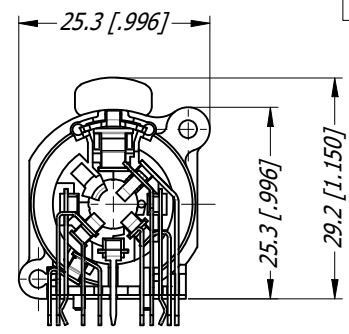
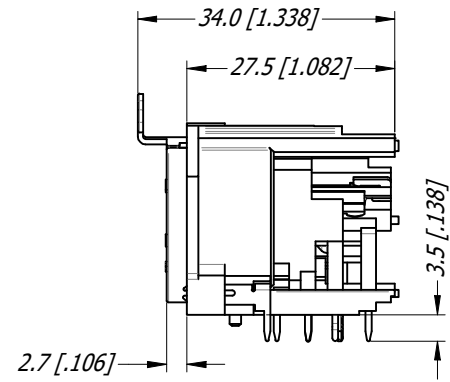
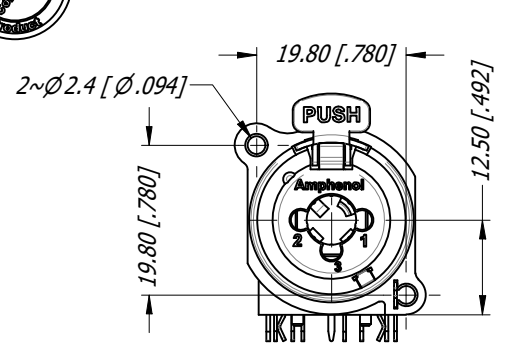




REVISION HISTORY				
REV	DESCRIPTION	BY	DATE	ECN
1	ISSUE FOR PRODUCTION	T.N	19/01/12	9125
2	CHANGE TN CONTACTS TO Au PLATING	MH	05/12/23	9740

A
B
C
D
E
F

A
B
C
D
E
F



UNLESS OTHERWISE SPECIFIED TOLERANCE TO BE	
LINEAR	ANGULAR
X ±0.5	X° ±1
X.X ±0.2	X.X° ±30'
X.XX ±0.1	X.XX° ±15'

THIS DOCUMENT IS THE PROPERTY OF AMPHENOL AUSTRALIA PTY. LTD.
NO PART THEREOF MAY BE REPRODUCED AND USED WITHOUT THE PRIOR WRITTEN CONSENT OF THE OWNER

MATERIAL:	DRN: T.N	DATE: 27/02/12
FINISH:	CKD: MH	DATE: 05/12/23
	APP'D: P.M	DATE: 05/12/23
DIMENSIONS IN MILLIMETRES	SCALE: 1:1	SIZE: A4

Amphenol Amphenol Australia Pty.Ltd,
22 Industry Blvd Carrum Downs, VIC 3201

TITLE: C TYPE LOW PROFILE 10 CONTACTS HORZ CUSTOMER DWG	PART No: ACJC10AH	REV 2
	DRAWING No. 88010807-000	SHEET 2/22