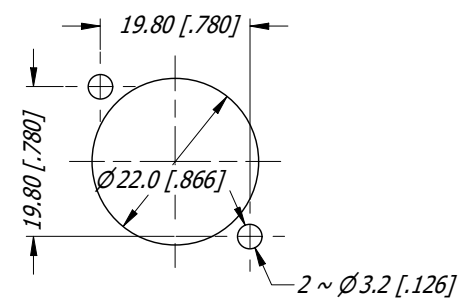
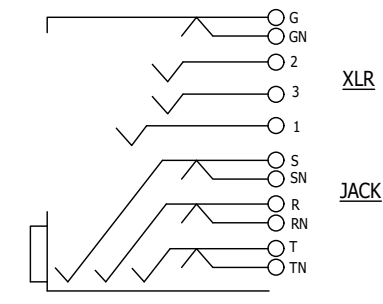
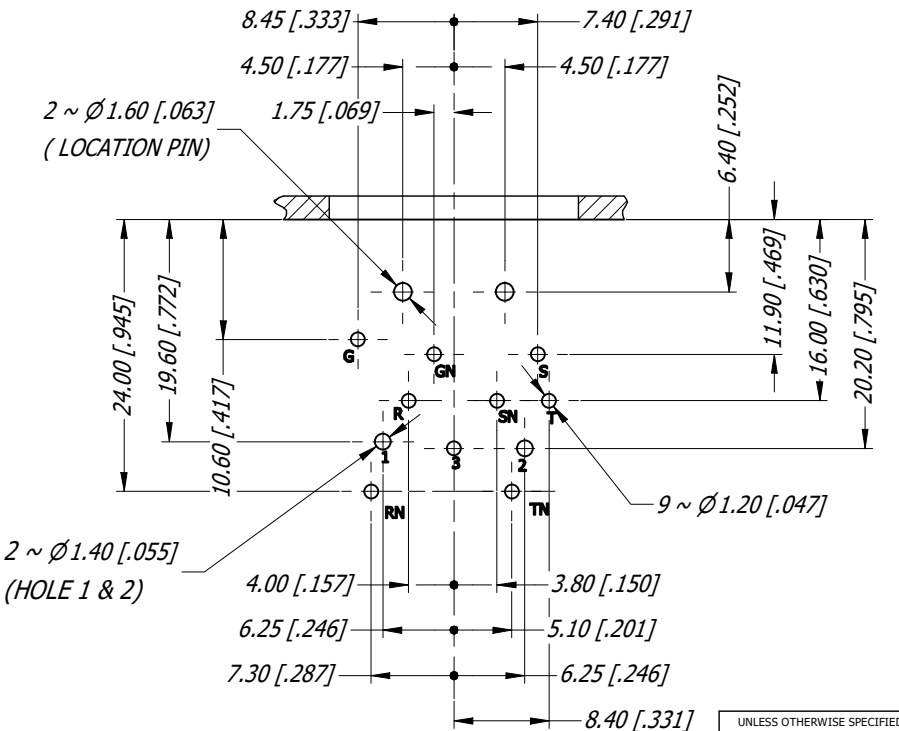
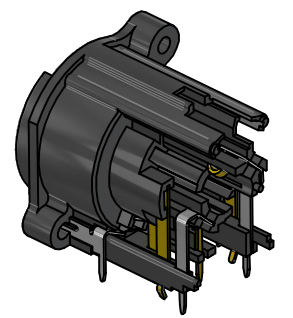
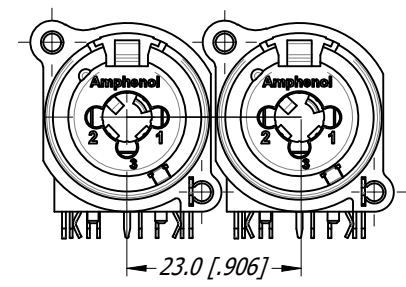
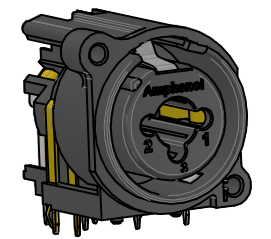
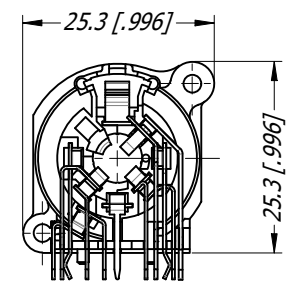
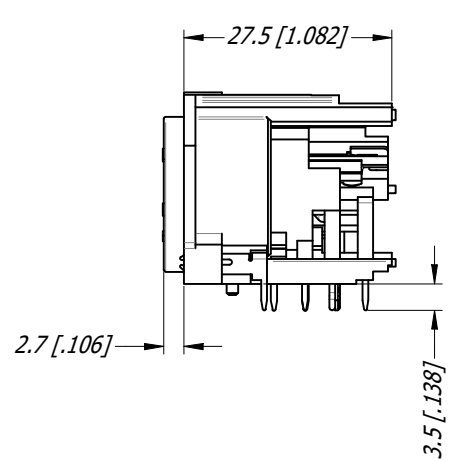
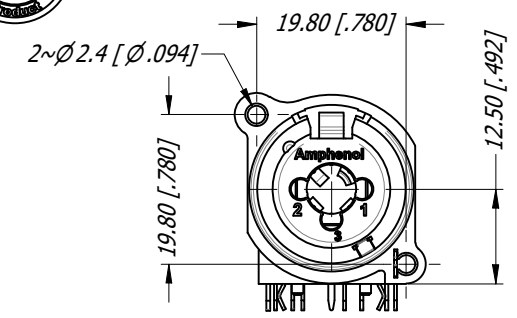




| REVISION HISTORY | | | | |
|------------------|----------------------------------|-----|----------|------|
| REV | DESCRIPTION | BY | DATE | ECN |
| 1 | ISSUE FOR PRODUCTION | T.N | 19/01/12 | 9125 |
| 2 | CHANGE TN CONTACTS TO Au PLATING | MH | 05/12/23 | 9740 |

A
B
C
D
E
F

A
B
C
D
E
F



CONTACT SCHEMATIC DIAGRAM

PANEL CUT OUT

| UNLESS OTHERWISE SPECIFIED TOLERANCE TO BE | |
|--|------------|
| LINEAR | ANGULAR |
| X ±0.5 | X° ±1 |
| X.X ±0.2 | X.X° ±30' |
| X.XX ±0.1 | X.XX° ±15' |
| BREAK ALL SHARP EDGES AND REMOVE ALL BURRS | |
| DO NOT SCALE | |
| DIMENSIONS IN MILLIMETRES | |

| | | | |
|--|-------------------|-----------------|----------------------------|
| THIS DOCUMENT IS THE PROPERTY OF AMPHENOL AUSTRALIA PTY. LTD. NO PART THEREOF MAY BE REPRODUCED AND USED WITHOUT THE PRIOR WRITTEN CONSENT OF THE OWNER | | | |
| MATERIAL: | DRN: T.N | DATE: 19/01/12 | TITLE: |
| | CKD: MH | DATE: 05/12/23 | C TYPE LOW PROFILE |
| FINISH: | APP'D: P.M | DATE: 05/12/23 | 10 CTS NON LATCH |
| | SCALE: 1:1 | SIZE: A4 | HORIZ- CUSTOMER DWG |

| | | | |
|--|--|---------------------|--------------|
| Amphenol Amphenol Australia Pty.Ltd, 22 Industry Blvd Carrum Downs, VIC 3201 | | PART No: | REV |
| | | ACJC10AHL | 2 |
| | | DRAWING No. | SHEET |
| | | 55010807-000 | 14/22 |