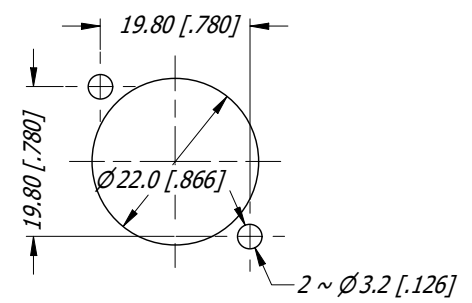
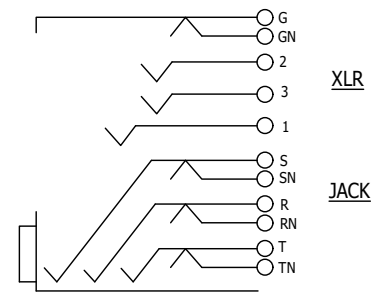
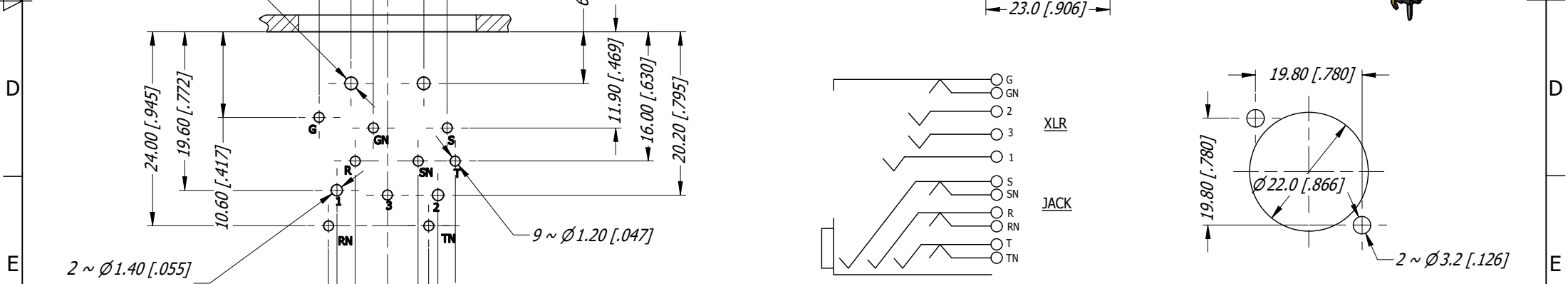
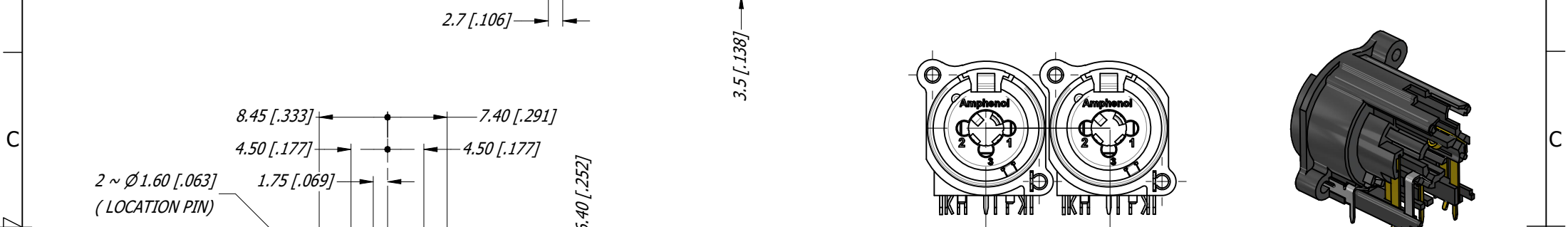
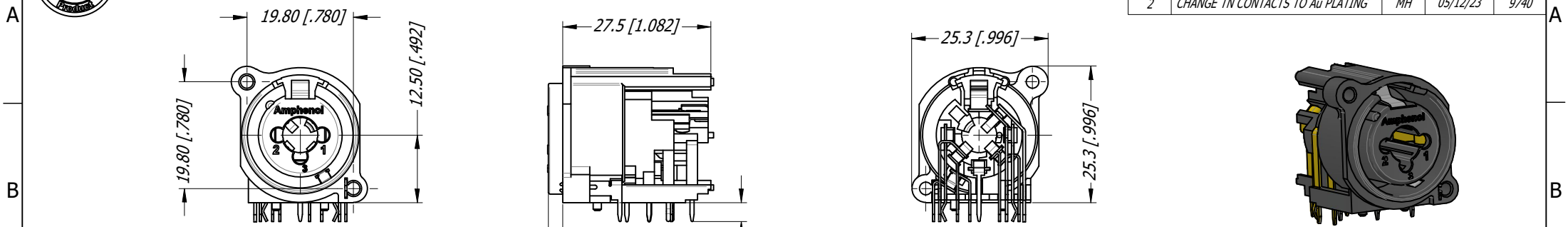
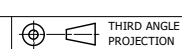




REVISION HISTORY				
REV	DESCRIPTION	BY	DATE	ECN
1	ISSUE FOR PRODUCTION	T.N	19/01/12	9125
2	CHANGE TN CONTACTS TO Au PLATING	MH	05/12/23	9740



UNLESS OTHERWISE SPECIFIED TOLERANCE TO BE		THIS DOCUMENT IS THE PROPERTY OF AMPHENOL AUSTRALIA PTY. LTD. NO PART THEREOF MAY BE REPRODUCED AND USED WITHOUT THE PRIOR WRITTEN CONSENT OF THE OWNER			<b>Amphenol</b> Amphenol Australia Pty.Ltd, 22 Industry Blvd Carrum Downs, VIC 3201	
LINEAR	ANGULAR	MATERIAL:	DRN: T.N	DATE: 19/01/12	TITLE: C TYPE LOW PROFILE 10 CTS NON LATCH HORIZ- CUSTOMER DWG	PART No: ACJC10AHL
X ±0.5	X° ±1	FINISH:	CKD: MH	DATE: 05/12/23	SCALE: 1:1	REV: 2
X.X ±0.2	X.X° ±30'		APP'D: P.M	DATE: 05/12/23		DRAWING No. 55010807-000
X.XX ±0.1	X.XX° ±15'	DIMENSIONS IN MILLIMETRES	SCALE: 1:1	SIZE: A4	CB4.17.F1	



BREAK ALL SHARP EDGES AND REMOVE ALL BURRS

DO NOT SCALE

DIMENSIONS IN MILLIMETRES

THIRD ANGLE PROJECTION

SCALE: 1:1

SIZE: A4

TITLE: C TYPE LOW PROFILE 10 CTS NON LATCH HORIZ- CUSTOMER DWG

PART No: ACJC10AHL

REV: 2

DRAWING No. 55010807-000

SHEET 14/22

CB4.17.F1