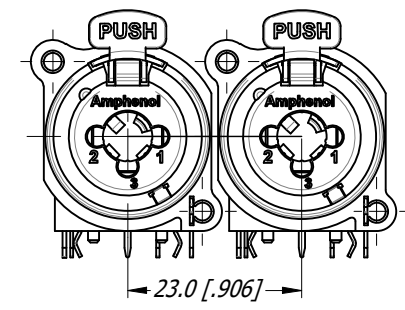
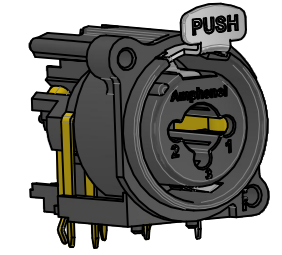
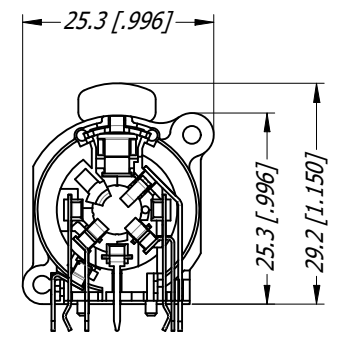
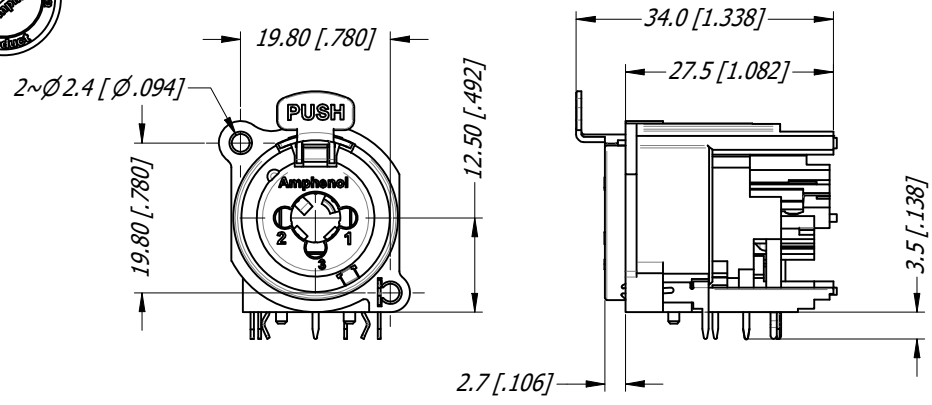




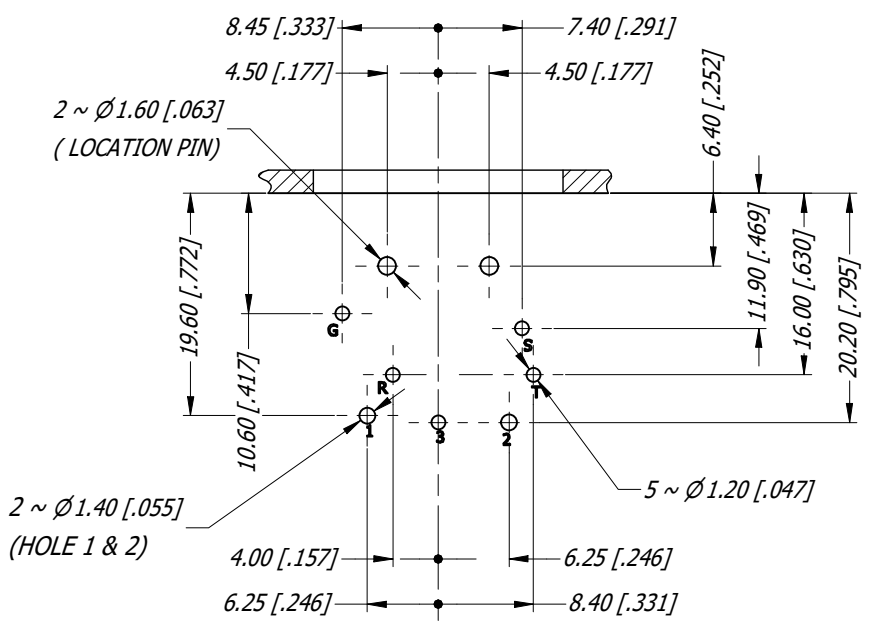
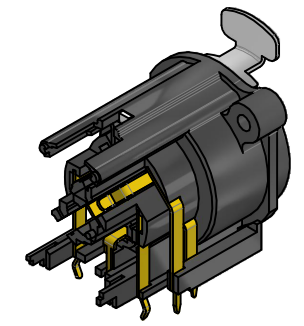
REVISION HISTORY				
REV	DESCRIPTION	BY	DATE	ECN
1	ISSUE FOR PRODUCTION	T.N	19/01/12	9125
2	CHANGE TN CONTACTS TO Au PLATING	MH	05/12/23	9740

A
B
C
D
E
F

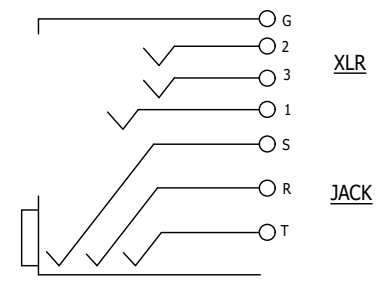
A
B
C
D
E
F



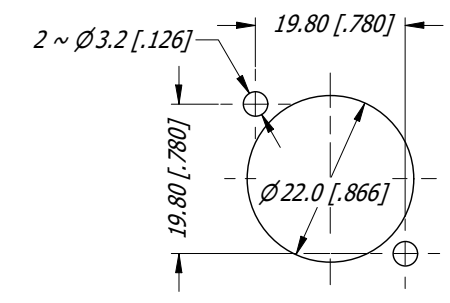
MIN MOUNTING PITCH



PCB LAYOUT SCALE 3:2



CONTACT SCHEMATIC DIAGRAM



PANEL CUT OUT

UNLESS OTHERWISE SPECIFIED TOLERANCE TO BE	
LINEAR	ANGULAR
X ±0.5	X° ±1
X.X ±0.2	X.X° ±30'
X.XX ±0.1	X.XX° ±15'

BREAK ALL SHARP EDGES AND REMOVE ALL BURRS

DO NOT SCALE

DIMENSIONS IN MILLIMETRES

THIS DOCUMENT IS THE PROPERTY OF AMPHENOL AUSTRALIA PTY. LTD.
NO PART THEREOF MAY BE REPRODUCED AND USED WITHOUT THE PRIOR WRITTEN CONSENT OF THE OWNER

MATERIAL:	DRN: T.N	DATE: 01/03/12
FINISH:	CKD: M.H	DATE: 05/12/23
	APP'D: P.M	DATE: 05/12/23
	SCALE: 1:1	SIZE: A4

Amphenol Amphenol Australia Pty.Ltd,
22 Industry Blvd Carrum Downs, VIC 3201

TITLE: C TYPE LOW PROFILE 6 CONTACTS HORZ CUSTOMER DWG	PART No: ACJC6AH	REV 2
	DRAWING No. 55010807-000	SHEET 10/22