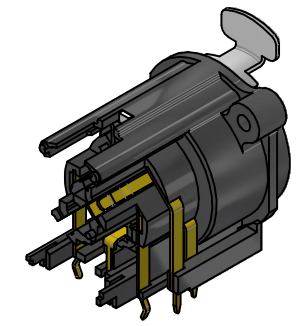
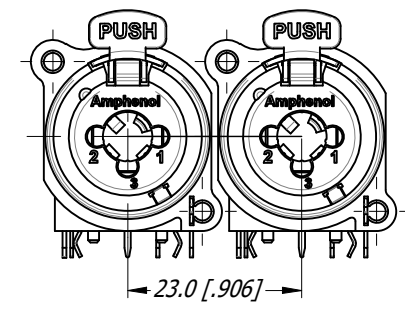
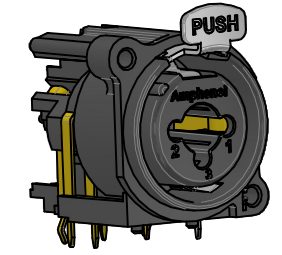
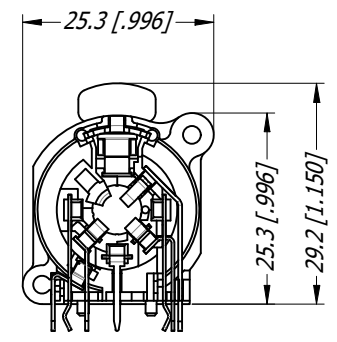
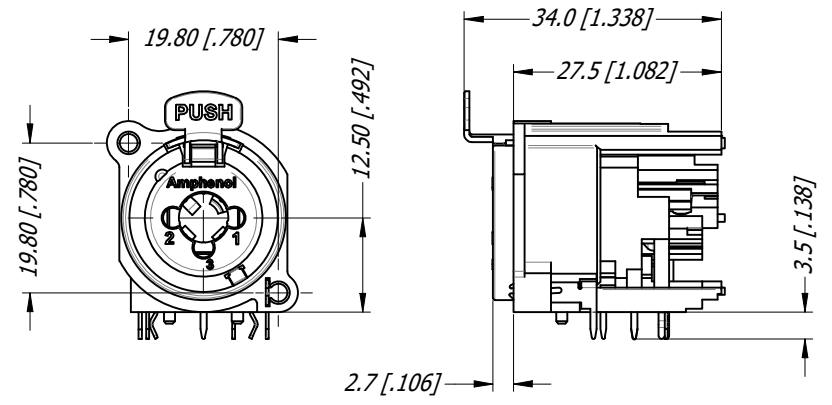
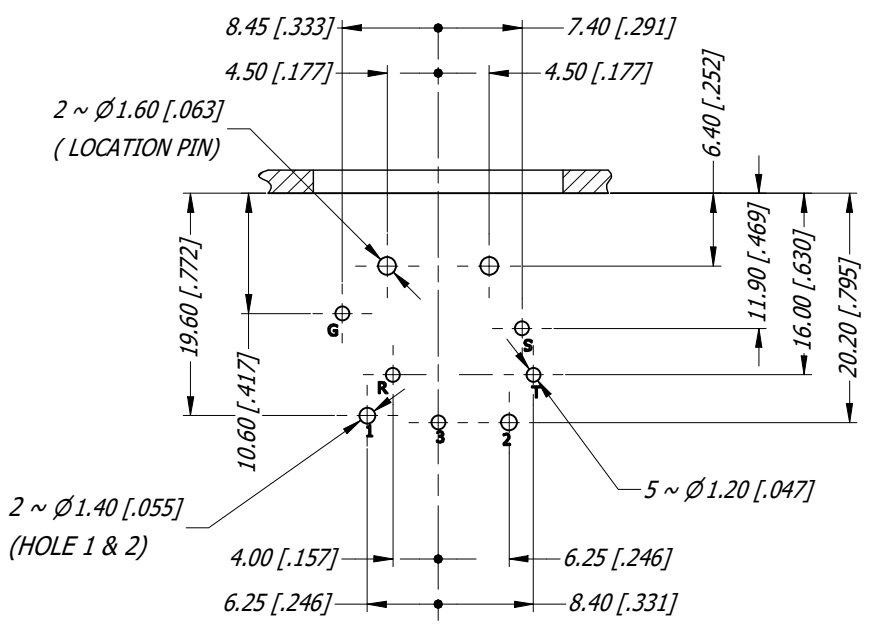




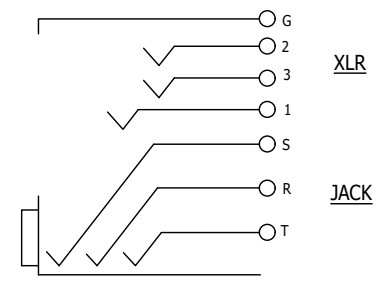
REVISION HISTORY				
REV	DESCRIPTION	BY	DATE	ECN
1	ISSUE FOR PRODUCTION	T.N	19/01/12	9125
2	CHANGE TN CONTACTS TO Au PLATING	MH	05/12/23	9740



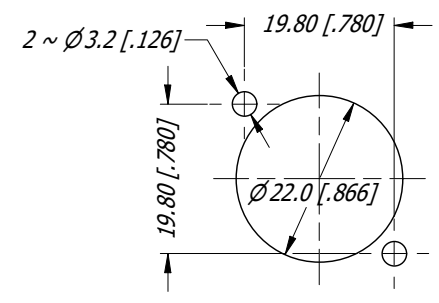
MIN MOUNTING PITCH



PCB LAYOUT SCALE 3:2



CONTACT SCHEMATIC DIAGRAM



PANEL CUT OUT

UNLESS OTHERWISE SPECIFIED TOLERANCE TO BE	
LINEAR	ANGULAR
X ± 0.5	X° ± 1
X.X ± 0.2	X.X° ± 30'
X.XX ± 0.1	X.XX° ± 15'

THIS DOCUMENT IS THE PROPERTY OF AMPHENOL AUSTRALIA PTY. LTD.
NO PART THEREOF MAY BE REPRODUCED AND USED WITHOUT THE PRIOR WRITTEN CONSENT OF THE OWNER

MATERIAL:	DRN: T.N	DATE: 01/03/12
FINISH:	CKD: M.H	DATE: 05/12/23
	APP'D: P.M	DATE: 05/12/23
DIMENSIONS IN MILLIMETRES	SCALE: 1:1	SIZE: A4

Amphenol Amphenol Australia Pty.Ltd,
22 Industry Blvd Carrum Downs, VIC 3201

TITLE: C TYPE LOW PROFILE 6 CONTACTS HORZ CUSTOMER DWG	PART No: ACJC6AH	REV 2
	DRAWING No. 55010807-000	SHEET 10/22