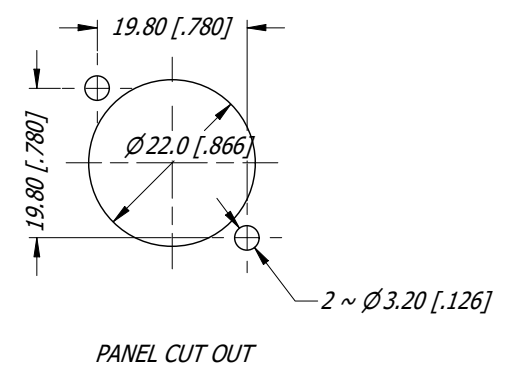
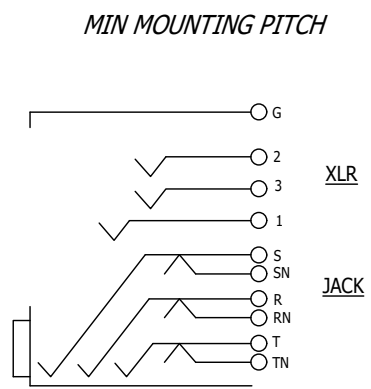
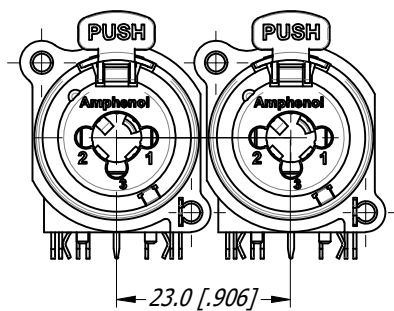
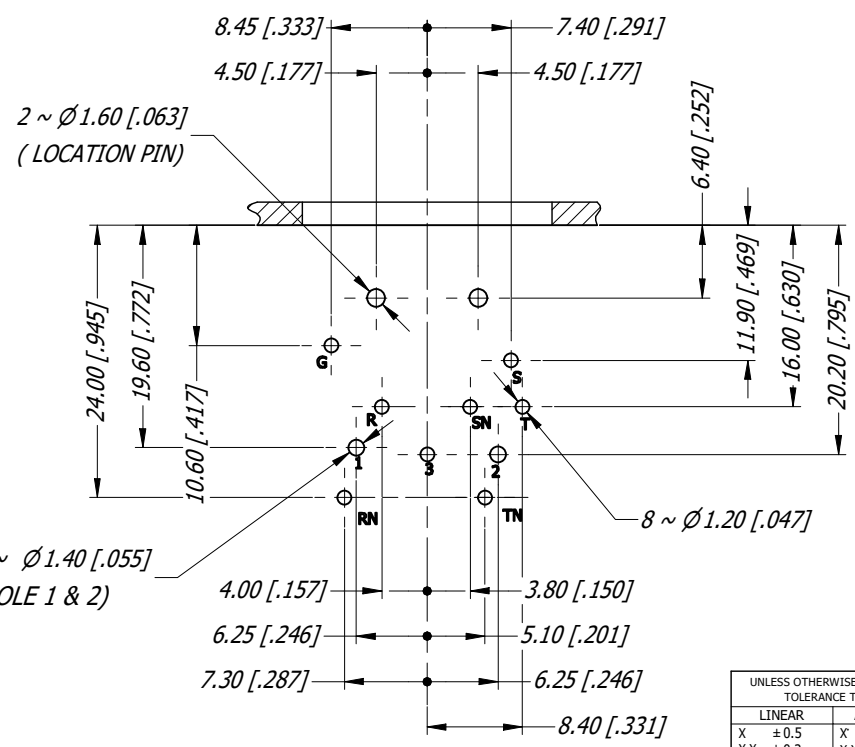
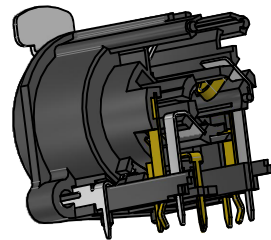
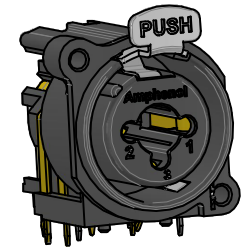
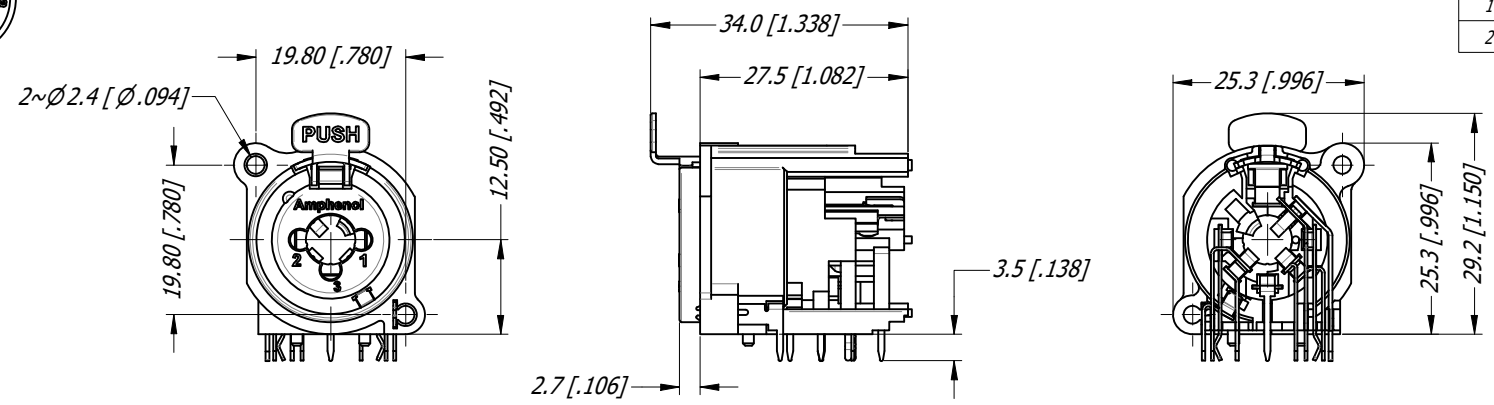




REVISION HISTORY				
REV	DESCRIPTION	BY	DATE	ECN
1	ISSUE FOR PRODUCTION	T.N	19/01/12	9125
2	CHANGE TN CONTACTS TO AU PLATING	MH	05/12/23	9740

A
B
C
D
E
F

A
B
C
D
E
F



PCB LAYOUT
SCALE 3:2

UNLESS OTHERWISE SPECIFIED TOLERANCE TO BE	
LINEAR	ANGULAR
X ±0.5	X° ±1
X.X ±0.2	X.X° ±30'
X.XX ±0.1	X.XX° ±15'

BREAK ALL SHARP EDGES AND REMOVE ALL BURRS
DO NOT SCALE

DIMENSIONS IN MILLIMETRES

THIS DOCUMENT IS THE PROPERTY OF AMPHENOL AUSTRALIA PTY. LTD.
NO PART THEREOF MAY BE REPRODUCED AND USED WITHOUT THE PRIOR WRITTEN CONSENT OF THE OWNER

MATERIAL: REFER COMPONENTS	DRN: T.N	DATE: 18/01/12
FINISH:	CKD: MH	DATE: 05/12/23
	APP'D: P.M	DATE: 05/12/23
	SCALE: 1:1	SIZE: A4

Amphenol Amphenol Australia Pty.Ltd,
22 Industry Blvd Carrum Downs, VIC 3201

TITLE: C TYPE LOW PROFILE 9 CONTACTS HORZ CUSTOMER DWG	PART No: ACJC9AH	REV 2
	DRAWING No. 55010807-000	SHEET 4/22