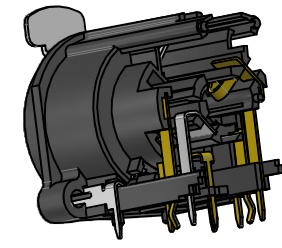
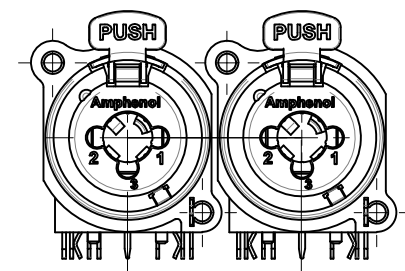
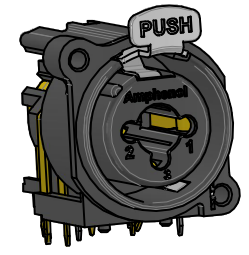
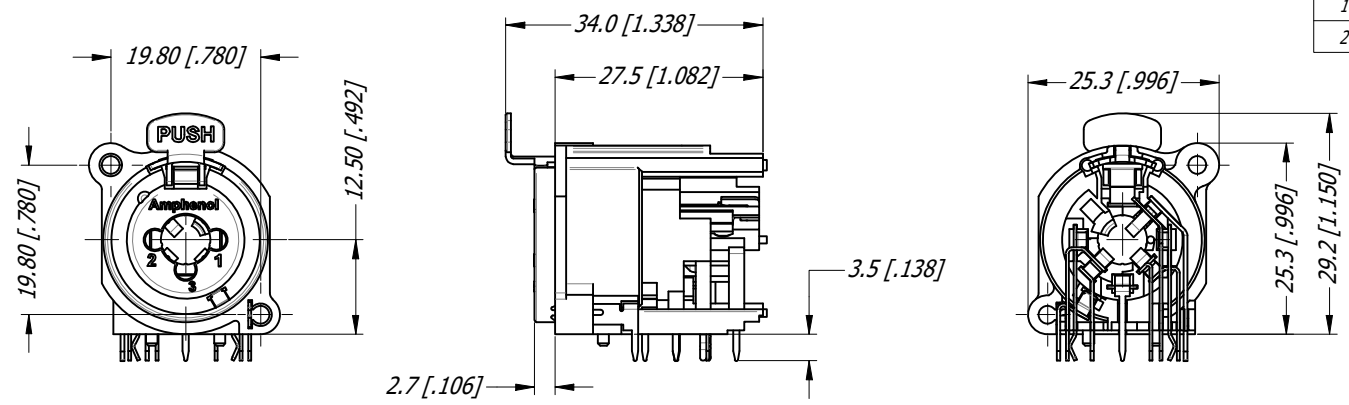




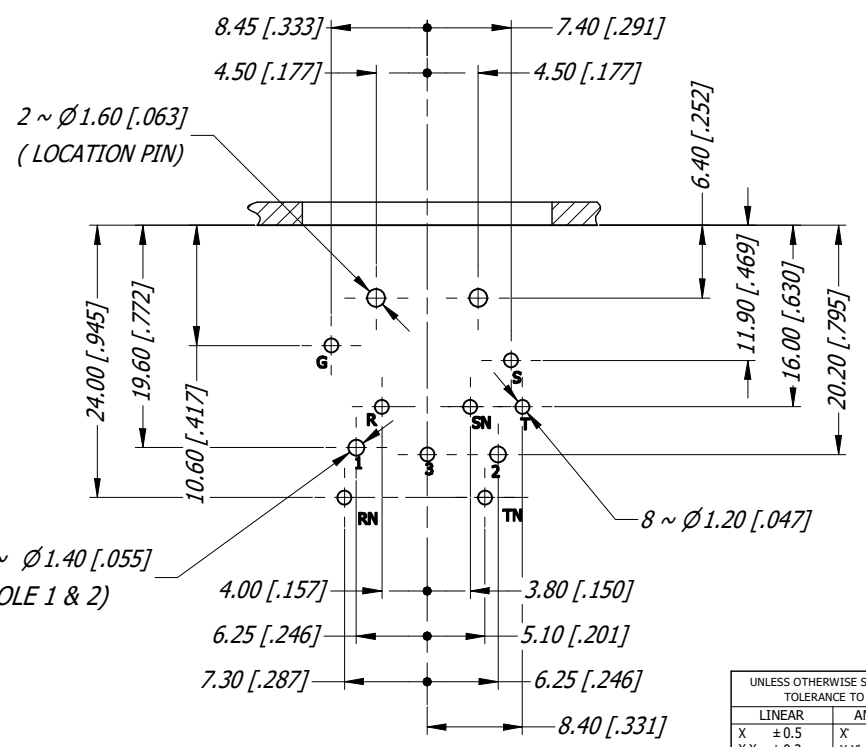
REVISION HISTORY				
REV	DESCRIPTION	BY	DATE	ECN
1	ISSUE FOR PRODUCTION	T.N	19/01/12	9125
2	CHANGE TN CONTACTS TO AU PLATING	MH	05/12/23	9740

A  
B  
C  
D  
E  
F

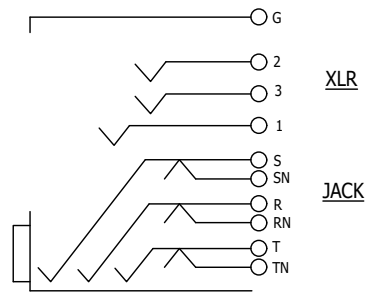
A  
B  
C  
D  
E  
F



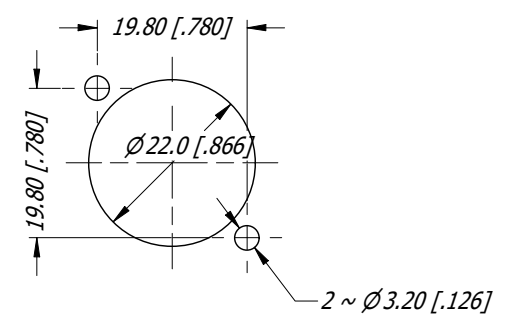
MIN MOUNTING PITCH



PCB LAYOUT  
SCALE 3:2



CONTACT SCHEMATIC DIAGRAM



PANEL CUT OUT

UNLESS OTHERWISE SPECIFIED TOLERANCE TO BE	
LINEAR	ANGULAR
X ±0.5	X° ±1
X.X ±0.2	X.X° ±30'
X.XX ±0.1	X.XX° ±15'

THIS DOCUMENT IS THE PROPERTY OF AMPHENOL AUSTRALIA PTY. LTD.  
NO PART THEREOF MAY BE REPRODUCED AND USED WITHOUT THE PRIOR WRITTEN CONSENT OF THE OWNER

MATERIAL: <b>REFER COMPONENTS</b>	DRN: T.N	DATE: 18/01/12
FINISH:	CKD: MH	DATE: 05/12/23
DIMENSIONS IN MILLIMETRES	APP'D: P.M	DATE: 05/12/23
THIRD ANGLE PROJECTION	SCALE: <b>1:1</b>	SIZE: <b>A4</b>

<b>Amphenol</b> <b>C TYPE LOW PROFILE</b> <b>9 CONTACTS HORZ</b> <b>CUSTOMER DWG</b>	Amphenol Australia Pty.Ltd, 22 Industry Blvd Carrum Downs, VIC 3201
	TITLE: <b>C TYPE LOW PROFILE</b> <b>9 CONTACTS HORZ</b> <b>CUSTOMER DWG</b>
PART No: <b>ACJC9AH</b>	REV <b>2</b>
DRAWING No. <b>55010807-000</b>	SHEET <b>4/22</b>