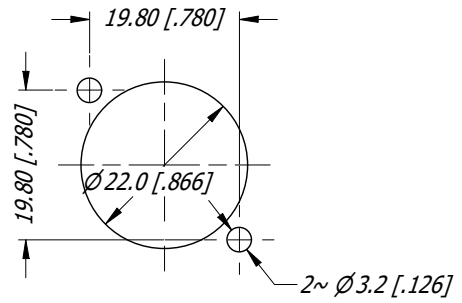
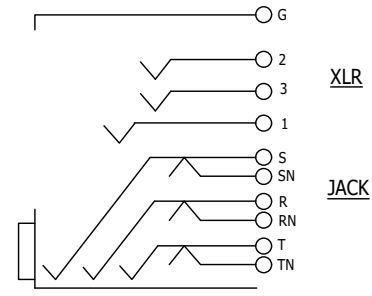
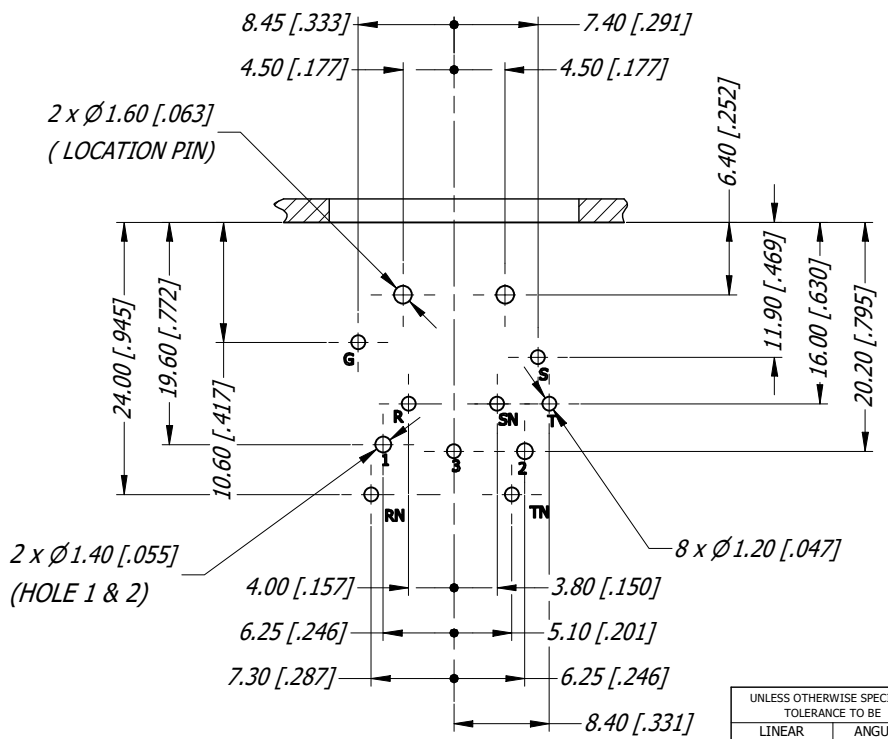
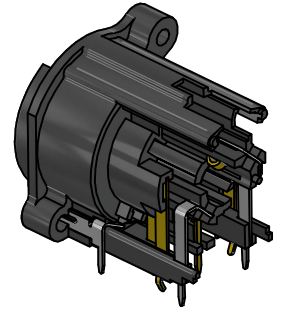
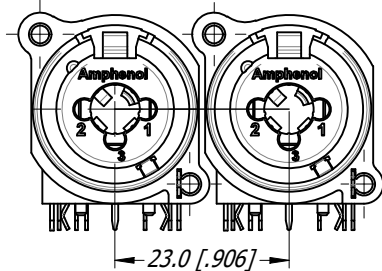
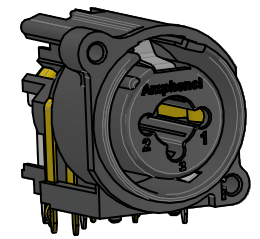
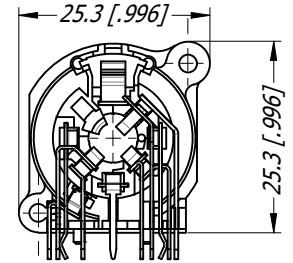
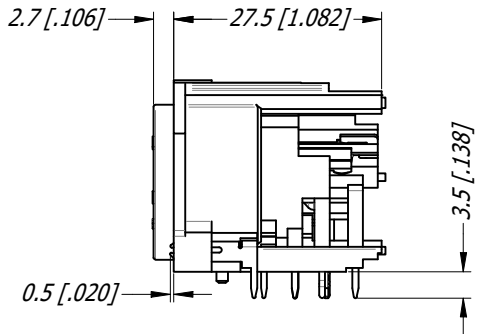
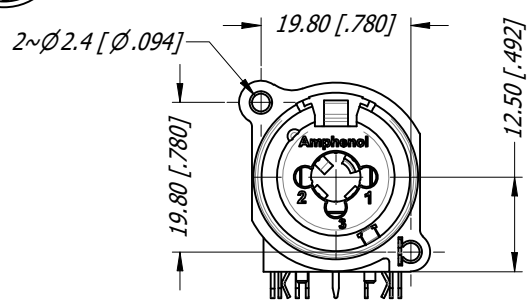




REVISION HISTORY				
REV	DESCRIPTION	BY	DATE	ECN
1	ISSUE FOR PRODUCTION	T.N	19/01/12	9125
2	CHANGE TN CONTACTS TO AU PLATING	MH	05/12/23	9740

A
B
C
D
E
F



UNLESS OTHERWISE SPECIFIED TOLERANCE TO BE	
LINEAR	ANGULAR
X ± 0.5	X° ± 1
X.X ± 0.2	X.X° ± 30'
X.XX ± 0.1	X.XX° ± 15'

THIS DOCUMENT IS THE PROPERTY OF AMPHENOL AUSTRALIA PTY. LTD.
NO PART THEREOF MAY BE REPRODUCED AND USED WITHOUT THE PRIOR WRITTEN CONSENT OF THE OWNER

MATERIAL: DRN: T.N DATE: 19/01/12
CKD: MH DATE: 05/12/23
APP'D: P.M DATE: 05/12/23

FINISH: SCALE: 1:1 SIZE: A4

Amphenol Amphenol Australia Pty.Ltd,
22 Industry Blvd Carrum Downs, VIC 3201

TITLE: **C TYPE LOW PROFILE 9 CTS NON LATCH HORZ- CUSTOMER DWG**

PART No: **ACJC9AHL** REV: **2**

DRAWING No. **55010807-000** SHEET: **16/22**