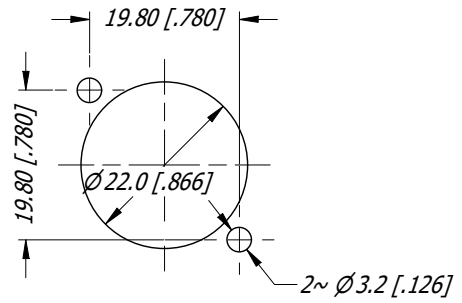
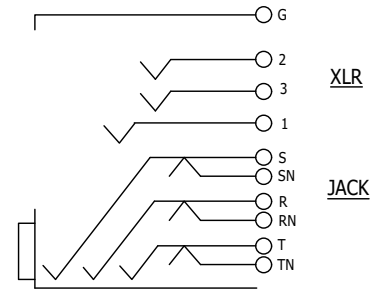
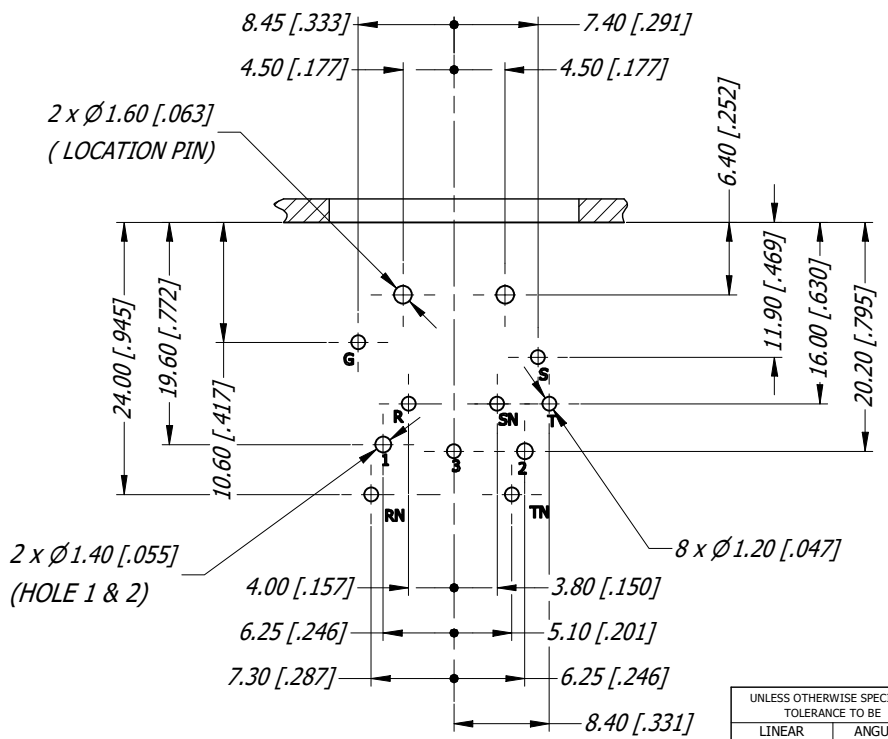
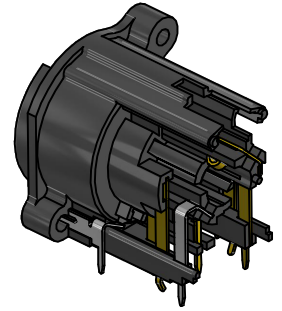
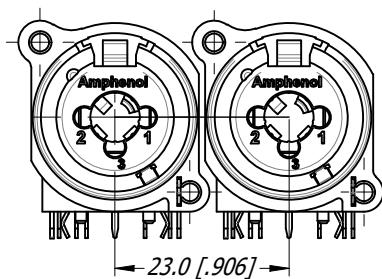
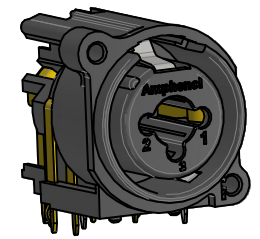
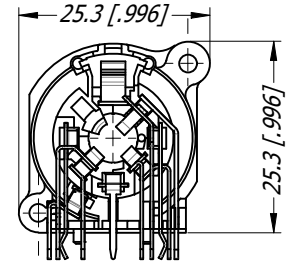
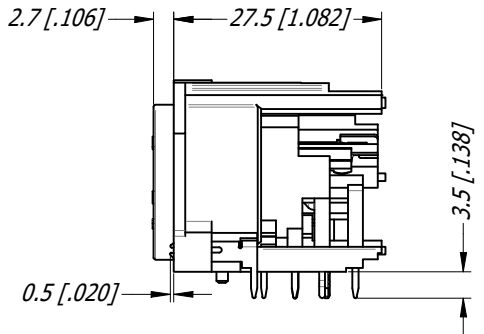
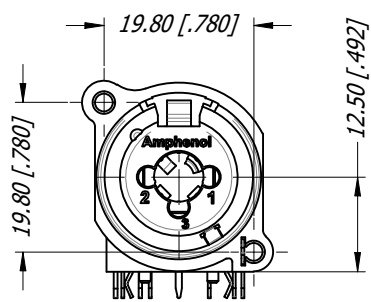




REVISION HISTORY				
REV	DESCRIPTION	BY	DATE	ECN
1	ISSUE FOR PRODUCTION	T.N	19/01/12	9125
2	CHANGE TN CONTACTS TO AU PLATING	MH	05/12/23	9740



UNLESS OTHERWISE SPECIFIED TOLERANCE TO BE	
LINEAR	ANGULAR
X ± 0.5	X° ± 1
X.X ± 0.2	X.X° ± 30'
X.XX ± 0.1	X.XX° ± 15'

THIS DOCUMENT IS THE PROPERTY OF AMPHENOL AUSTRALIA PTY. LTD.  
NO PART THEREOF MAY BE REPRODUCED AND USED  
WITHOUT THE PRIOR WRITTEN CONSENT OF THE OWNER

MATERIAL:	DRN: T.N	DATE: 19/01/12
	CKD: MH	DATE: 05/12/23
	APP'D: P.M	DATE: 05/12/23
FINISH:	SCALE: 1:1	SIZE: A4

**Amphenol**  
**C TYPE LOW PROFILE**  
**9 CTS NON LATCH**  
**HORZ- CUSTOMER DWG**

Amphenol Australia Pty.Ltd, 22 Industry Blvd Carrum Downs, VIC 3201	PART No: <b>ACJC9AHL</b>	REV <b>2</b>
DRAWING No. <b>55010807-000</b>	SHEET <b>16/22</b>	

