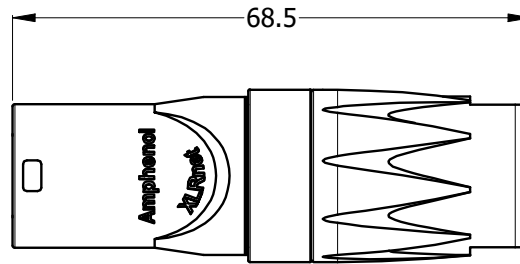
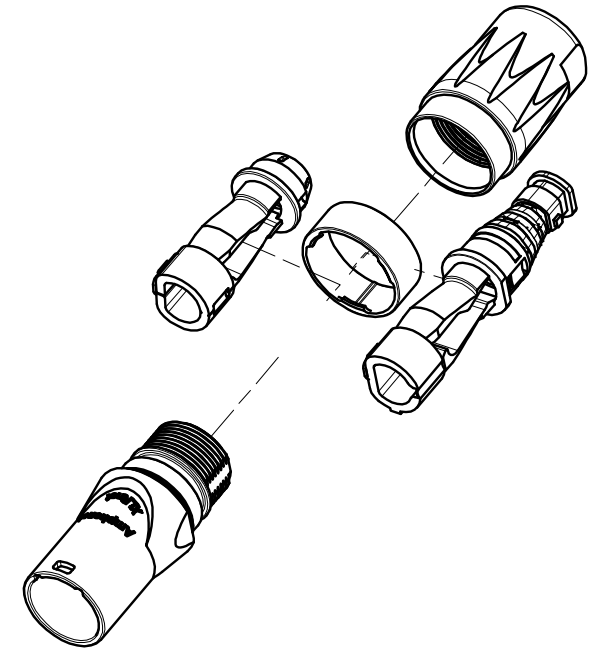


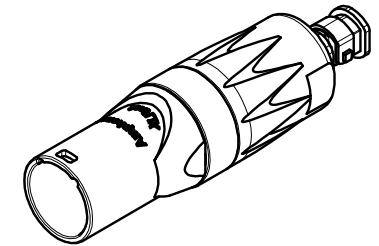
**SMALL CABLE CLAMP**



**LARGE CABLE CLAMP**



**EXPLODED VIEW**



**ISO VIEW**

**PART NUMBER BREAKDOWN  
RJXX 8 M B BULK**

CONTACT LAYOUT  
8: RJ45 CABLE HOUSING

GENDER  
M: MALE CABLE PLUG

PACKAGING:  
BLANK: INDIVIDUAL BAG  
B: BULK PACKED

SHELL FINISH  
BLANK: NICKEL PLATE  
B: BLACK FINISH

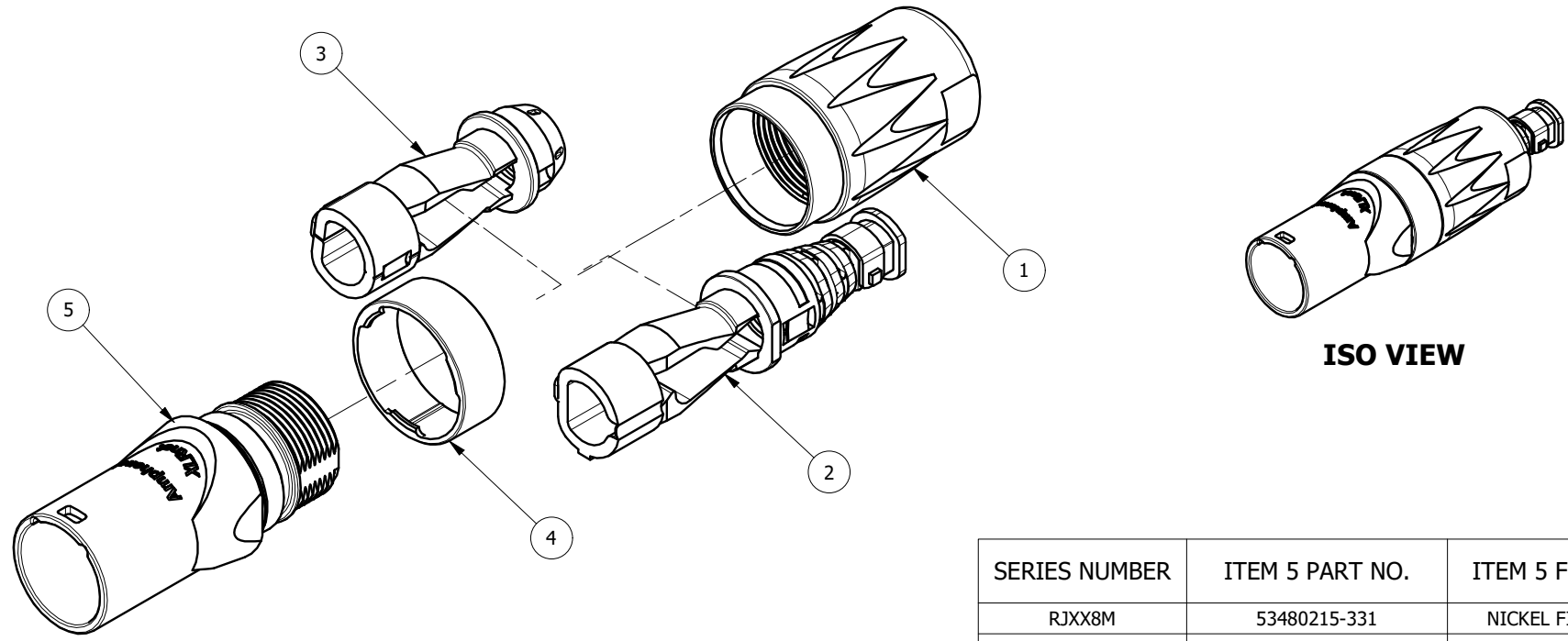


NOTES:  
BOTH CABLE CLAMPS LARGE & SMALL ARE PACKED IN THE SAME BAG OF CONNECTOR KIT.

UNLESS OTHERWISE SPECIFIED TOLERANCE TO BE:		THIS DOCUMENT IS THE PROPERTY OF AMPHENOL AUSTRALIA PTY. LTD. NO PART THEREOF MAY BE REPRODUCED AND USED WITHOUT THE PRIOR WRITTEN CONSENT OF THE OWNER				<b>Amphenol</b> Amphenol Australia Pty.Ltd, 22 Industry Blvd Carrum Downs, VIC 3201	
LINEAR		ANGULAR		MATERIAL:	DRN: M.C.	DATE: 15/08/2025	TITLE:
X ±0.5	X° ±1	X°X' ±30'		<b>SEE PARTS LIST</b>	CKD: P.M.	DATE: 15/08/2025	PART No:
X.X ±0.1	X°X' ±15'	X°X'X" ±15'			APP'D: P.M.	DATE: 15/08/2025	<b>RJXX8Mx</b>
DO NOT SCALE		FINISH: <b>SEE PARTS LIST</b>		<b>XLRnet PLUG CABLE CONNECTOR</b>		DRAWING No.	REV
DIMENSIONS IN MILLIMETRES		THIRD ANGLE PROJECTION		SCALE: <b>NTS</b>	SIZE: <b>A4</b>	<b>55011668-000-1</b>	<b>1</b>
						<b>1/2</b>	

REVISION HISTORY

REV	DESCRIPTION	BY	APPROVED	DATE	ECN
1	INITIAL ISSUE	M.C.	P.M.	3/09/2025	9771



ISO VIEW

SERIES NUMBER	ITEM 5 PART NO.	ITEM 5 FINISH
RJXX8M	53480215-331	NICKEL FINISH
RJXX8MB	53480215-431	BLACK FINISH

NOTES:  
BOTH CABLE CLAMPS LARGE & SMALL ARE PACKED IN THE SAME BAG OF CONNECTOR KIT.

ITEM	PART NUMBER	DESCRIPTION	QTY
5	53480215-331	DIECAST SHELL, XLRnet PLUG, IP65	1
4	52530005-550	RING, BLACK	1
3	50260014-530	CABLE CLAMP LARGE XLRnet	1
2	50260013-530	CABLE CLAMP SMALL XLRnet	1
1	52170289-531	XLRnet PLUG BACKSHELL	1

PARTS LIST



UNLESS OTHERWISE SPECIFIED TOLERANCE TO BE:		THIS DOCUMENT IS THE PROPERTY OF AMPHENOL AUSTRALIA PTY. LTD. NO PART THEREOF MAY BE REPRODUCED AND USED WITHOUT THE PRIOR WRITTEN CONSENT OF THE OWNER			
LINER	ANGULAR	MATERIAL:	DRN: M.C.	DATE: 15/08/2025	<b>SEE PARTS LIST</b> FINISH: <b>SEE PARTS LIST</b>
X ±0.5	X° ±1		CKD: P.M.	DATE: 15/08/2025	
X.X ±0.1	X°X' ±30'		APP'D: P.M.	DATE: 15/08/2025	
X.XX ±0.05	X°X'X" ±15"				
DO NOT SCALE		DIMENSIONS IN MILLIMETRES		THIRD ANGLE PROJECTION	SCALE: <b>NTS</b> SIZE: <b>A4</b>

**Amphenol** Amphenol Australia Pty.Ltd,  
22 Industry Blvd Carrum Downs, VIC 3201

TITLE: **XLRnet PLUG CABLE CONNECTOR**

PART No: **RJXX8Mx** REV **1**

DRAWING No. **55011668-000-1** SHEET **2/2**