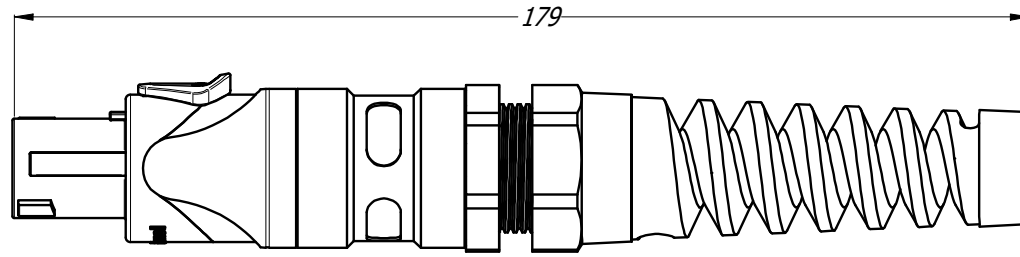


LEGEND = KEY PRODUCT CHARACTERISTICS

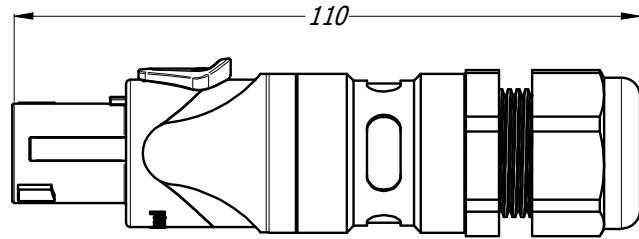


REVISION HISTORY

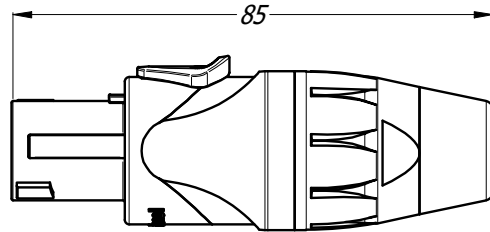
REV	ZONE	DESCRIPTION	DATE	BY	ECN
1		FIRST RELEASE	14-08-25	MH	----



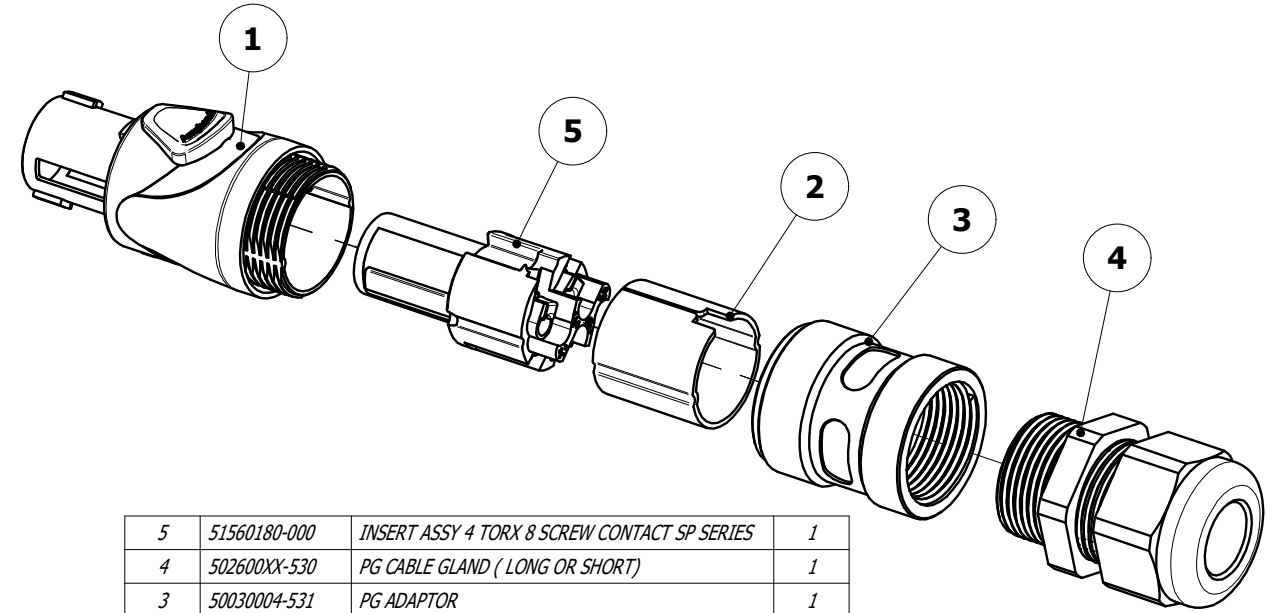
**SPEAKER PLUG LONG PG GLAND**  
0.75



**SPEAKER PLUG SHORT PG GLAND**  
0.75

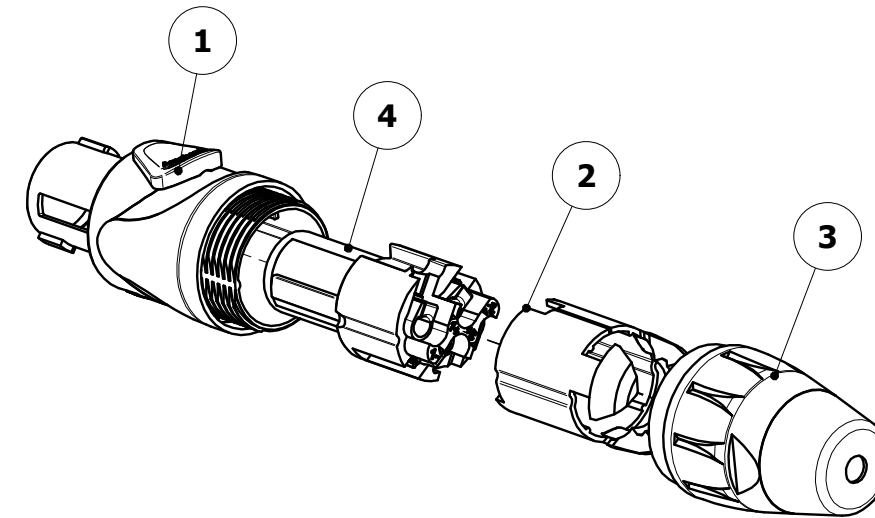


**SPEAKER PLUG STANDARD NUT**  
0.75



ITEM	PART NUMBER	DESCRIPTION	QTY
5	51560180-000	INSERT ASSY 4 TORX 8 SCREW CONTACT SP SERIES	1
4	502600XX-530	PG CABLE GLAND ( LONG OR SHORT)	1
3	50030004-531	PG ADAPTOR	1
2	50120022-531	BUSHING	1
1	53490008-*30	SHELL ASSEMBLY SP SERIES	1

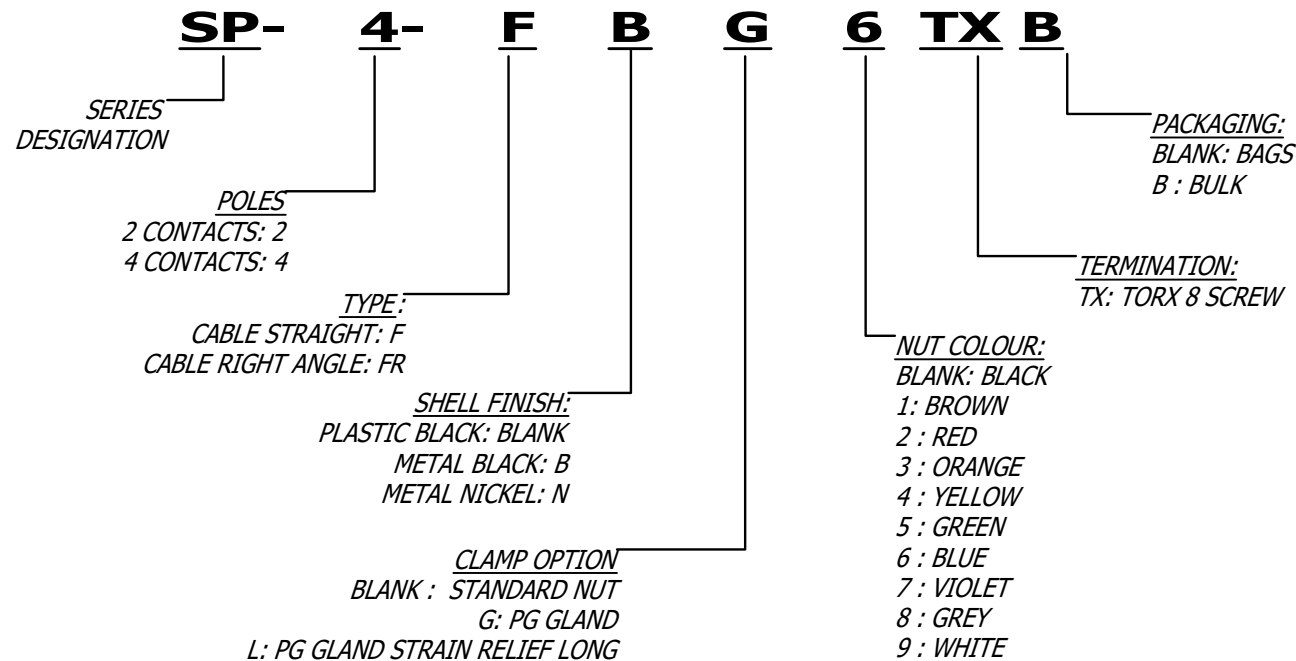
PARTS LIST ( PG GLAND)



ITEM	PART NUMBER	DESCRIPTION	QTY
4	51560180-000	INSERT ASSY 4 TORX 8 SCREW CONTACT SP SERIES	1
3	50440042-530	NUT ASSEMBLY OVERMOLDED	1
2	50260008-531	CABLE CLAMP	1
1	53490008-*30	SHELL ASSEMBLY SP SERIES	1

PARTS LIST ( STANDARD NUT)

PART NUMBER BREAKDOWN



UNLESS OTHERWISE SPECIFIED TOLERANCE TO BE	THIS DOCUMENT IS THE PROPERTY OF AMPHENOL AUSTRALIA PTY. LTD. NO PART THEREOF MAY BE REPRODUCED AND USED WITHOUT THE PRIOR WRITTEN CONSENT OF THE OWNER	<b>Amphenol</b> Amphenol Australia Pty.Ltd, 22 Industry Blvd, Carrum Downs, VIC 3201																					
	<table border="1"> <tr> <th>LINEAR</th> <th>ANGULAR</th> </tr> <tr> <td>X ±0.5</td> <td>X' ±1</td> </tr> <tr> <td>X.X ±0.2</td> <td>X.X' ±30'</td> </tr> <tr> <td>X.XX ±0.1</td> <td>X.XX' ±15'</td> </tr> </table>	LINEAR	ANGULAR	X ±0.5	X' ±1	X.X ±0.2	X.X' ±30'	X.XX ±0.1	X.XX' ±15'	<table border="1"> <tr> <td>MATERIAL: <b>SEE COMPONENTS</b></td> <td>DRN: MH</td> <td>DATE: 14-08-25</td> </tr> <tr> <td>FINISH:</td> <td>CKD: MH</td> <td>DATE: 14-08-25</td> </tr> <tr> <td>APP'D: PM</td> <td>DATE: 14-08-25</td> <td></td> </tr> </table>	MATERIAL: <b>SEE COMPONENTS</b>	DRN: MH	DATE: 14-08-25	FINISH:	CKD: MH	DATE: 14-08-25	APP'D: PM	DATE: 14-08-25		<table border="1"> <tr> <td>TITLE: <b>LOUD SPEAKER CONNECTOR PLUG SP SERIES</b></td> <td>PART No: <b>SEE P/No BREAKDOWN</b></td> </tr> <tr> <td>DRAWING NO. <b>55011681-000-2</b></td> <td>SHEET <b>1/2</b></td> </tr> </table>	TITLE: <b>LOUD SPEAKER CONNECTOR PLUG SP SERIES</b>	PART No: <b>SEE P/No BREAKDOWN</b>	DRAWING NO. <b>55011681-000-2</b>
LINEAR	ANGULAR																						
X ±0.5	X' ±1																						
X.X ±0.2	X.X' ±30'																						
X.XX ±0.1	X.XX' ±15'																						
MATERIAL: <b>SEE COMPONENTS</b>	DRN: MH	DATE: 14-08-25																					
FINISH:	CKD: MH	DATE: 14-08-25																					
APP'D: PM	DATE: 14-08-25																						
TITLE: <b>LOUD SPEAKER CONNECTOR PLUG SP SERIES</b>	PART No: <b>SEE P/No BREAKDOWN</b>																						
DRAWING NO. <b>55011681-000-2</b>	SHEET <b>1/2</b>																						
DO NOT SCALE	SCALE: <b>0.75: 1</b>	SIZE: <b>A3</b>	CAD FILE: 55011681000221																				

DIMENSIONS IN MILLIMETRES